



# SECTION E

## Hinged Door Hardware

Crest Locksets	E2 - E3
Optimum Locksets	E4 - E8
Lever Compression Lock	E9
Twin Bolt French Door Lockset	E10
Handle Sets	E11 - E12
Cylinders	E13 - 14
Securiturn	E15
Key in Knob Sets	E16 - 19
Mechanical Bolts	E20 - E23
Door Stops	E24

## Crest 4-Point Mortise Lock



Inspired by the beauty of the New Zealand environment, the Crest Hinged Door Handle offers a stylish and contemporary look while combining superior functionality.

The Crest range of furniture provides a cohesive appearance to the hardware on all doors and windows in the home.

### Application

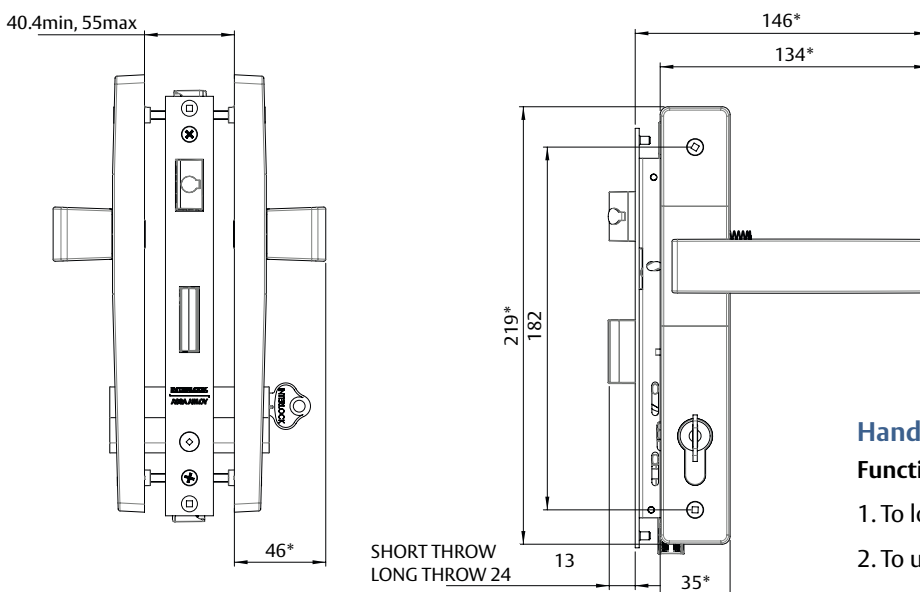
- Suitable for Residential, Architectural and Designer Thermal suites

### Features

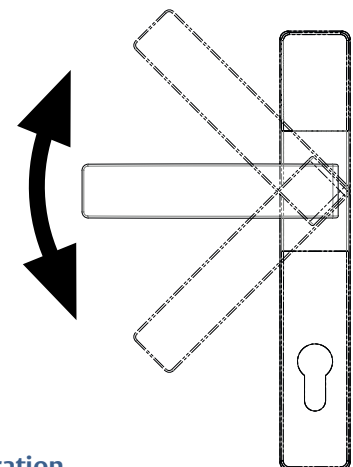
- New Zealand designed and made
- Four points of locking
- Sequencing of locking points can be in any order (can be locked with or without shootbolts thrown)
- Can be keyed alike with other Crest hardware in the home for one key convenience
- When used with the correct strike the lock generates optimum seal compression to provide improved water and air seal performance, especially for large panel doors
- The handing of the lockset is adjusted by reversing the orientation of the latch bolt
- Standard kits are supplied with furniture and keyed cylinder
- Achieves Australian Standards AS4145: 1993 (Part 2) Security Level S2 and Durability Level D2

### Options

- Double cylinder, cylinder and turnknob, half cylinder or half turnknob
- Available in a wide range of powdercoat colours and satin chrome



\* Dimensions shown are specific to Crest lever. Other styles may vary.



### Handle Operation

#### Function

1. To lock - turn key towards edge of door
2. To unlock - turn key away from edge of door
3. To throw shootbolts - lift handle up and release lever (either when locked or unlocked)
4. To retract shootbolts, ensure lock is unlocked. Push lever down and release

## Crest

### 2-Point Mortise Lock



Inspired by the beauty of the New Zealand environment, the Crest Hinged Door Handle offers a stylish and contemporary look while combining superior functionality.

The Crest range of furniture provides a cohesive appearance to the hardware on all doors and windows in the home.

#### Application

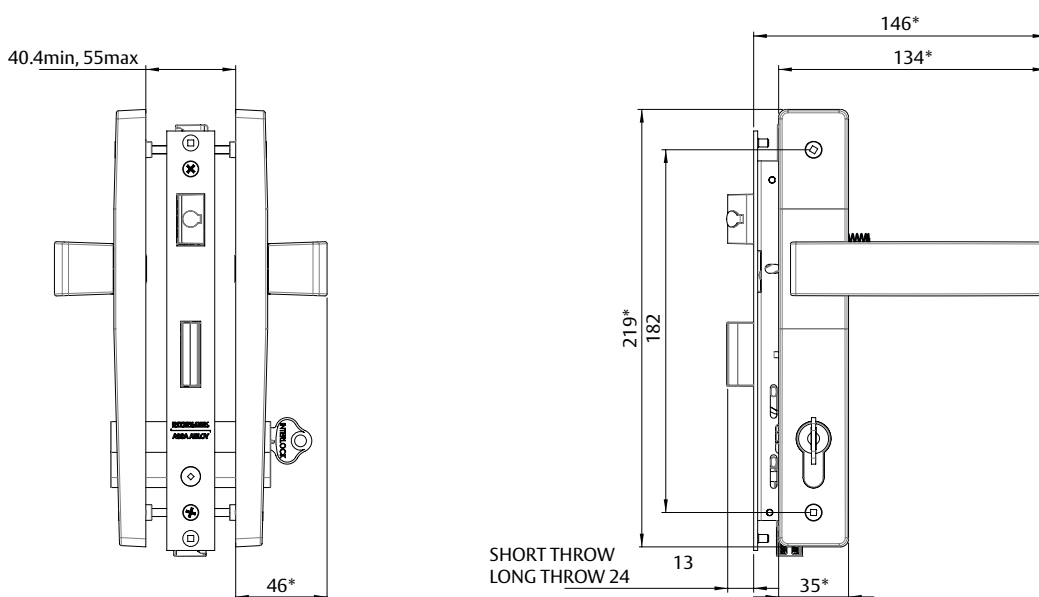
- Suitable for Residential, Architectural and Designer Thermal suites

#### Features

- New Zealand designed and made
- Two points of locking
- Sequencing of locking points can be in any order (can be locked with or without shootbolts thrown)
- Can be keyed alike with other Crest hardware in the home for one key convenience
- When used with the correct strike the lock generates optimum seal compression to provide improved water and air seal performance, especially for large panel doors
- The handing of the lockset is adjusted by reversing the orientation of the latch bolt
- Standard kits are supplied with furniture and keyed cylinder
- Achieves Australian Standards AS4145: 1993 (Part 2) Security Level S2 and Durability Level D2

#### Options

- Double cylinder, cylinder and turnknob, half cylinder or half turnknob
- Available in a wide range of powdercoat colours and satin chrome



\* Dimensions shown are specific to Crest lever. Other styles may vary.

## Optimum 4-Point Mortice Lock



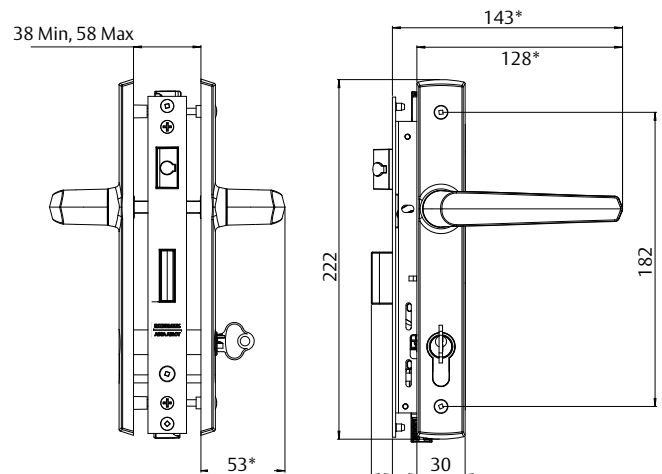
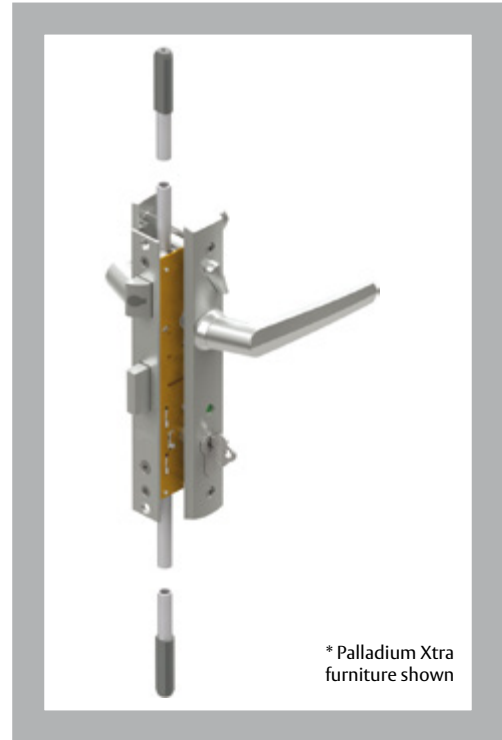
The Optimum Mortice Lock offers a new and improved locking system with enhanced furniture options available. When deadlocked, the Optimum 4-Point provides increased security with up to four points of locking. The shootbolt provides added security and seal compression, designed specifically for the New Zealand environment. See reverse for handle operation.

### Features

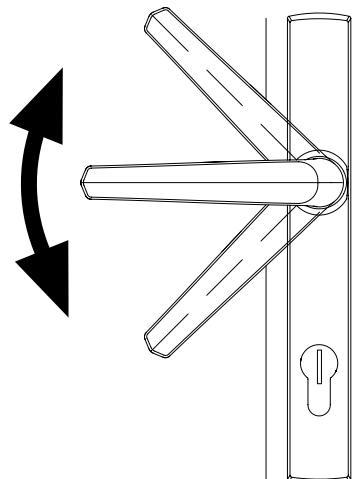
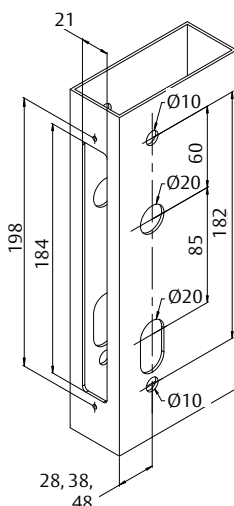
- Upgraded furniture option (Palladium Xtra) features LockAlert indicator which shows at a glance if the door has been deadlocked
- Upgraded furniture also comes with safety snib for at home security, enabling easy exit if required
- Features four points of locking including the latch, deadbolt and shootbolts
- Sequencing of locking points can be in any order (can be locked with or without shootbolts thrown)
- When used with the correct strike the lock generates optimum seal compression to provide improved water and air seal performance, especially for large panel doors
- The handing of the lockset is adjusted by reversing the orientation of the latch bolt
- Standard kits are supplied with furniture and keyed cylinder
- Can be keyed alike to other ASSA ABLOY CYL4™ 5-Pin locks for one key convenience
- Achieves Australian Standards AS4145: 2008 (Part 2) Security Level S6 and Durability Level D7
- New Zealand made

### Options

- Available with 30mm, 40mm or 50mm backset
- Short Throw 4-Point
- Long Throw 4-Point
- Available with standard Verona and Palladium furniture or upgrade to Palladium Xtra with LockAlert and safety snib
- Double cylinder, cylinder and turnknob, half cylinder or half turnknob



*\* Dimensions shown are specific to Aria lever. Other styles may vary.*



### Handle Operation

#### Function

1. To lock - turn key towards edge of door
2. To unlock - turn key away from edge of door
3. To throw shootbolts - lift handle up and release lever (either when locked or unlocked)
4. To retract shootbolts, ensure lock is unlocked. Push lever down and release

## Optimum 2-Point Mortice Lock



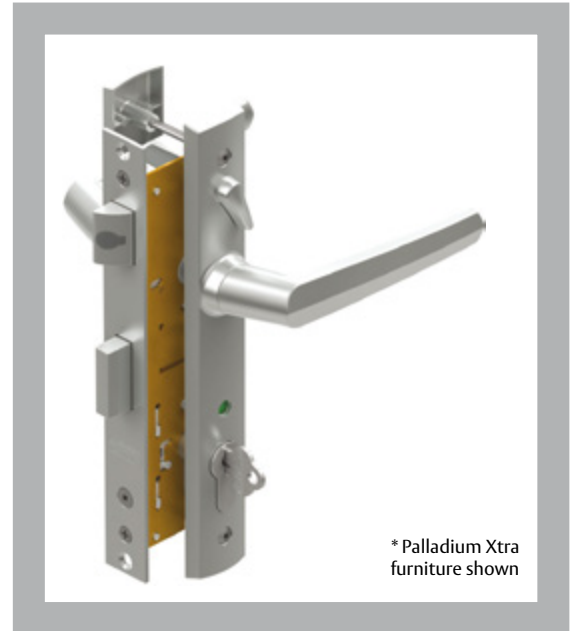
The Optimum Mortice Lock offers a new and improved locking system with enhanced furniture options available. When deadlocked, the Optimum 2-Point provides increased security with two points of locking. Made specifically for the New Zealand environment, this is an ideal locking solution.

### Features

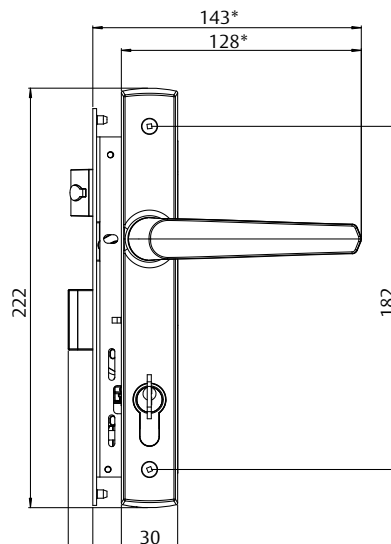
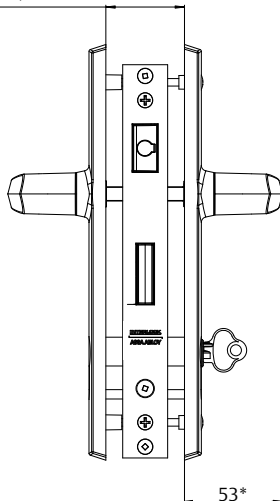
- Upgraded furniture option (Palladium Xtra) features LockAlert indicator which shows at a glance if the door has been deadlocked
- Upgraded furniture also comes with safety snib for at home security, enabling easy exit if required
- Features 2 points of locking including the latch and deadbolt
- The handing of the lockset is adjusted by reversing the orientation of the latch bolt
- Standard kits are supplied with furniture and keyed cylinder
- Can be keyed alike to other ASSA ABLOY CYL4™ 5-Pin locks for one key convenience
- Stainless steel forend plate
- Adjustable latch projection
- Achieves Australian Standards AS4145: 2008 (Part 2) Security Level S6 and Durability Level D7
- New Zealand made

### Options

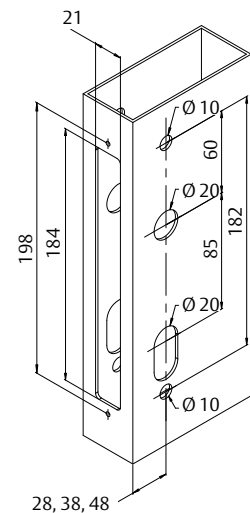
- Available with 30mm, 40mm or 50mm backset
- Short Throw 2-Point
- Long Throw 2-Point
- Available with standard Verona and Palladium furniture or upgrade to Palladium Xtra with LockAlert and safety snib
- Double cylinder, cylinder and turnknob, half cylinder or half turnknob



38 Min, 58 Max



Short Throw 12  
Long Throw 24



\*Dimensions shown are specific to Aria lever. Other styles may vary.

## Optimum 4-Point Mortice Lock - Apex Mini-Lever Set



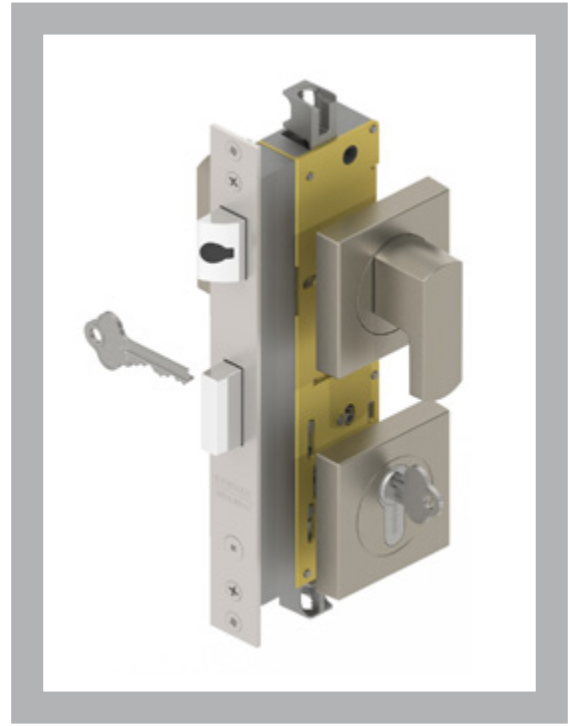
There is now a solution for those wanting to offer a multipoint locking system on entrance doors – the Apex Mini-Lever. The Apex Mini-Lever provides enough leverage to throw vertical rods, improving seal compression and security. It has been designed to be discreet, yet complementary to large pull handles. The Apex Mini-Lever is available in brushed nickel finish to match stainless steel hardware, and is kitted with the Optimum 4-Point, 50mm backset lock.

### Features

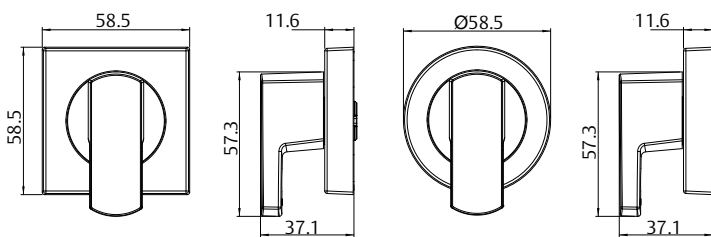
- Sleek, minimalist design
- Independently sprung lever
- Mini lever engages locking rods in head and sill for added security and weathertightness
- Smooth and easy operation of the lock
- Kits are supplied with Standard Euro Cylinder
- Can be keyed alike to other ASSA ABLOY CYL4™ profile locks for one key convenience
- Stainless Steel lock forend plate

### Options

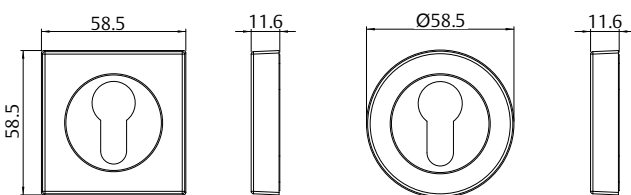
- Available with square or round escutcheons
- Double cylinder or cylinder and turnknob options available



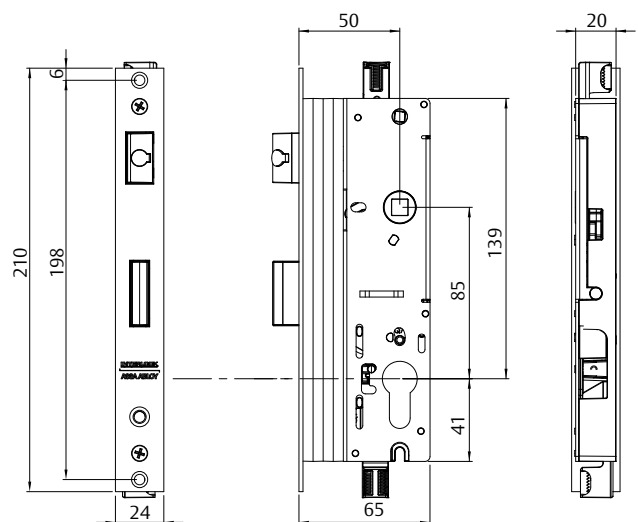
Apex Lever



Apex Cylinder Escutcheon



50mm Backset Optimum 4 Point



## Optimum 1-Point Mortice Lock



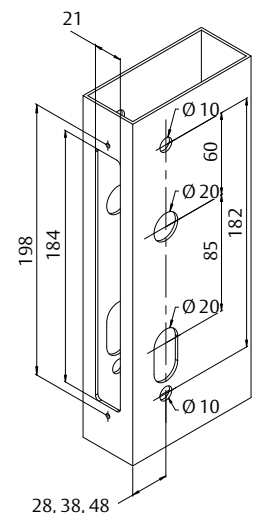
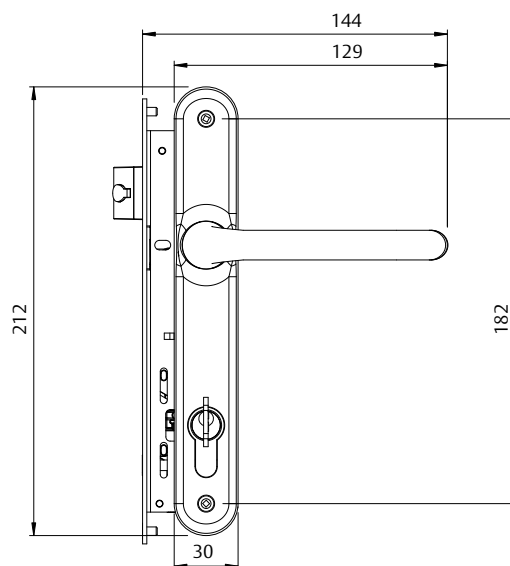
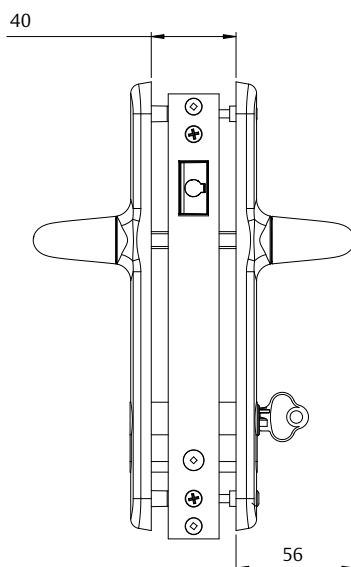
The Optimum Mortice Lock range offers a new and improved locking system. The Optimum 1-Point provides basic security suitable for residential applications.

### Features

- The handing of the lockset is easily adjusted by reversing the orientation of the latch bolt
- Standard kits are supplied with furniture and keyed cylinder
- Can be keyed alike to other ASSA ABLOY CYL4™ 5-Pin locks for one key convenience
- Adjustable latch projection
- Stainless steel forend plate
- Achieves Australian Standards AS4145: 2008 (Part 2) Security Level S4 and Durability Level D7
- New Zealand made

### Options

- Available with 30mm backset
- Available with standard Verona furniture
- Double cylinder, cylinder and turnknob, half cylinder or half turnknob



## Optimum Roller Ball Lock



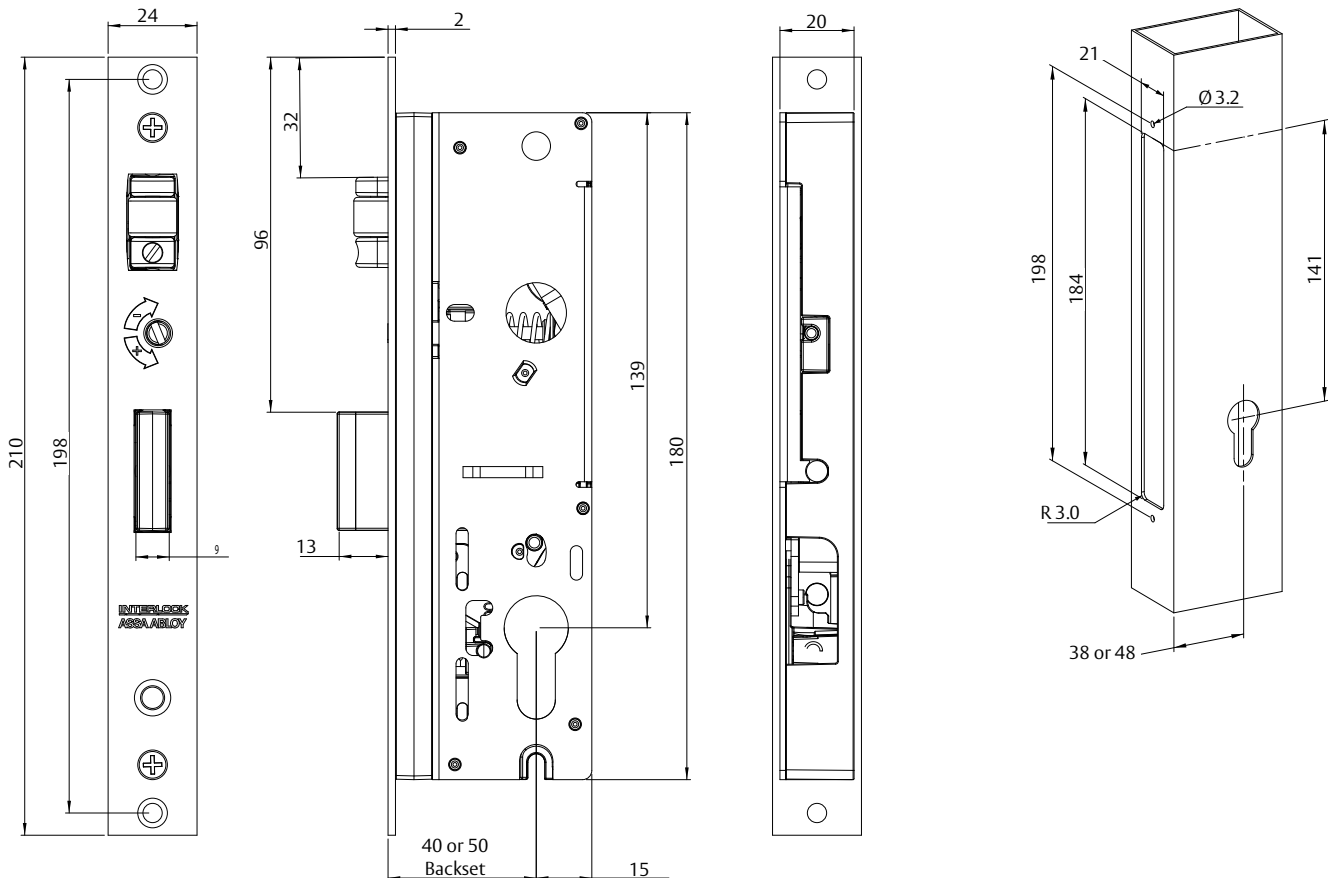
The Optimum Roller Ball Lock is designed to provide a roller ball locking option that suits a wide range of door sizes and applications. The design allows for optimal latch adjustment and positive latching, to suit most user needs.

### Features

- Can be keyed alike to other ASSA ABLOY CYL4™ locks for one key convenience
- Adjustable latch projectioner
- Adjustable latching strength
- Stainless steel forend plate
- New Zealand made

### Options

- Available in 40mm and 50mm backsets
- Double cylinder, cylinder and turnknob, half cylinder or half turnknob
- Strike options to suit timber & aluminium doors
- Available as lock only or as part of a pull handle kit





## Lever Compression Lock 4-Point



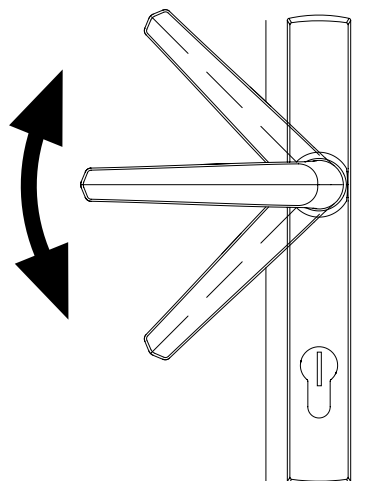
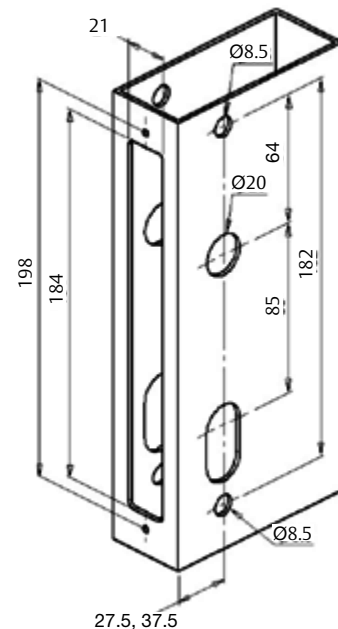
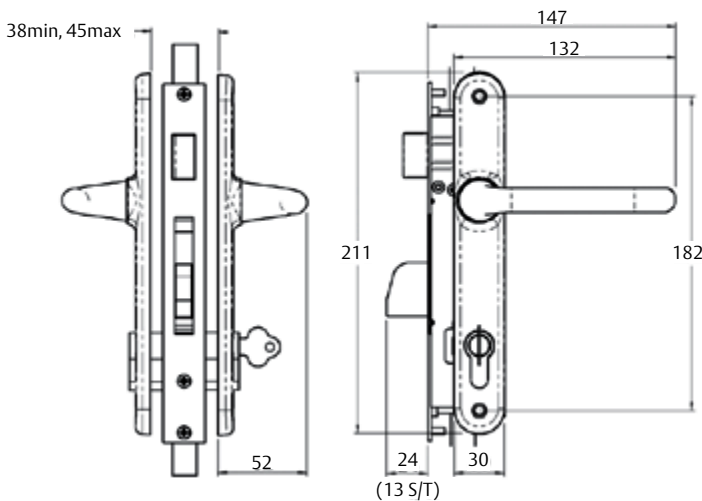
The Lever Compression Lock is a mortised, multipoint swing door lock, available in a 30mm or 40mm backset. The lift bolt and rods are driven off the latch actuating handle. This feature generates the compression required to provide the necessary water and air seal for large panels. Deadlocking is provided by a conventional key cylinder.

### Features

- Upward motion of the handle activates deadbolt, shoot bolts and remote mechanisms
- Unique deadbolt design increases seal compression upon activation
- Generates superior air and water performance
- Up to four locking points
- Handing easily changed with removable latch bolt
- Multiple handle styles available

### Options

- 30mm backset with diecast zinc faceplate available in 13mm or 24mm bolt lengths
- 40mm backset with stainless steel faceplate available in 13mm bolt length



## Twin Bolt French Door Lockset



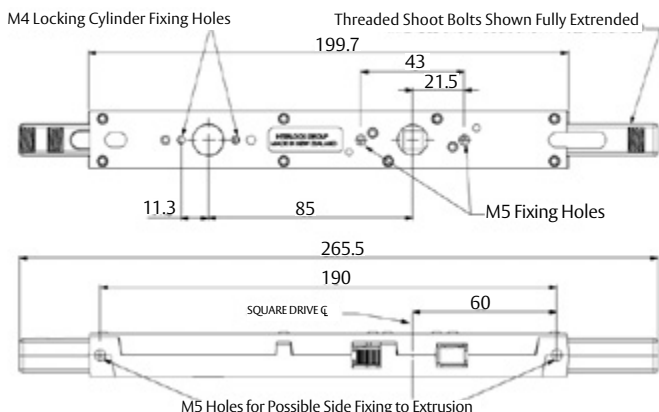
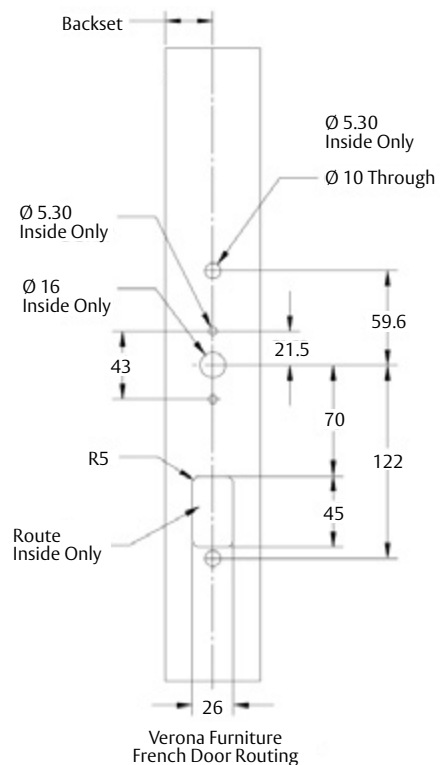
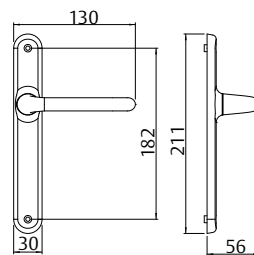
The Twin Bolt lock body has been designed for use on the passive leaf of a french door. The Twin Bolt combines security features with a practical design, fulfilling the needs created by architectural innovations within the residential and light commercial market. Suitable for use with aluminium or timber doors.

### Features

- Standard rod length 1 x 1m + 1 x 1.3m.
- Provides two points of security with throw rods top and bottom (13mm throw)
- Practical, easy installation
- Zinc die-cast construction
- Standard moulded plastic packers and fixing screws provided
- Threaded rod connection provides easy adjustment
- Handle turning angle of 90°
- Twin Bolt lock body features internal locking only, with a C4 compatible cylinder
- The Twin Bolt - French Door option is available as a complete kit which includes the lock body, lock rods, handle set, aluminium suite screws, packers and drive bar
- Can be keyed alike to other ASSA ABLOY CYL4™ locks for one key convenience
- New Zealand made

### Options

- Can be used with a Palladium or a Verona handle for french door applications
- Both handles available in a wide range of powdercoat colours and satin chrome finish
- Multipoint rod extension kit available
- Composite suite packer and screw pack also available



## Palladium Door Handle Sets

The Palladium series is offered in eight lever styles. The handles have been created specifically for external doors with a long plate design which complements aluminium joinery. By having a range of levers, also available on other escutcheons within ASSA ABLOY's product range, customers can achieve a consistent look throughout the home by matching their internal and external door hardware.

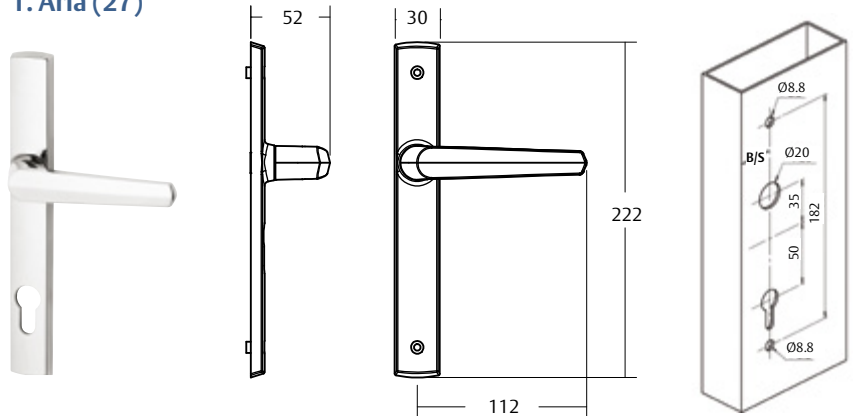
### Features

- Can be used with Optimum and Twin Bolt locksets plus Pinnacle Bi-fold and Pinnacle French Door locksets
- New springing detail improves feel and performance
- Non-handed
- Strong zinc die-cast construction
- Fixing details identical to Verona handles, ideal for replacement situations
- New Zealand made

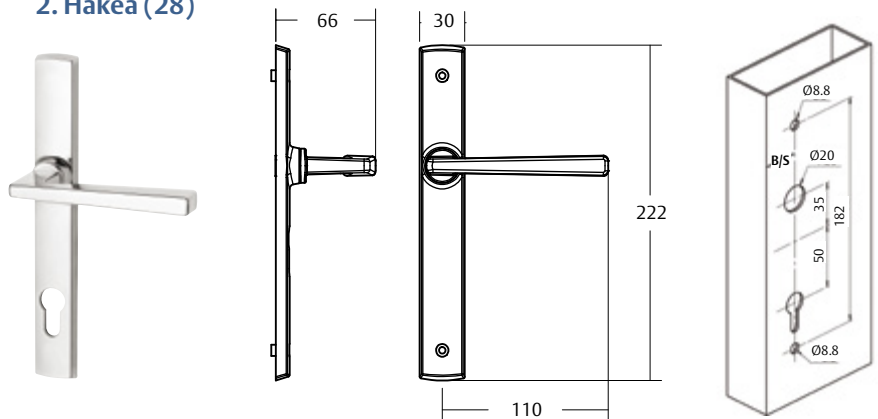
### Options

- Locking
- Non-locking
- Fixed (dummy)
- Available in a wide range of powdercoat colours and satin chrome finish

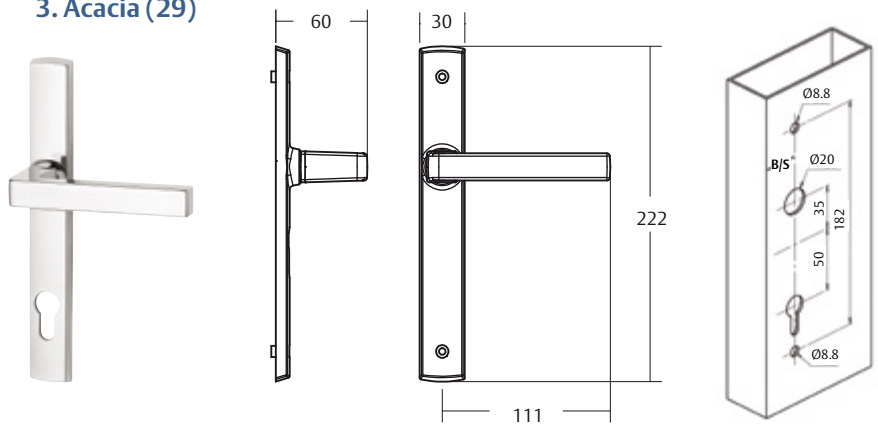
1. Aria (27)



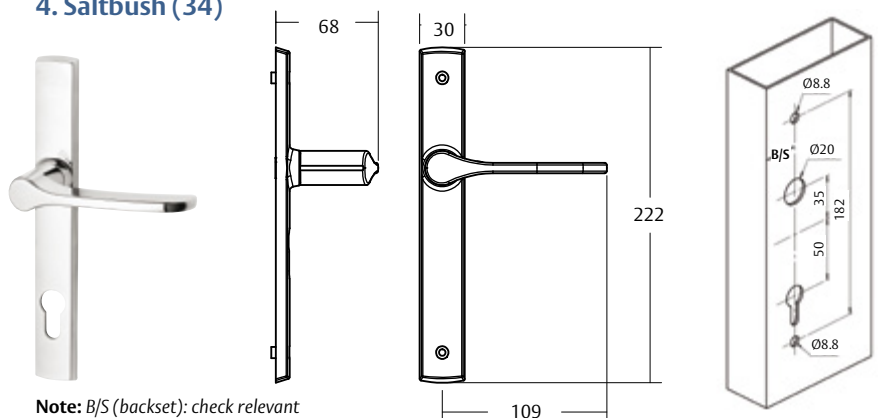
2. Hakea (28)



3. Acacia (29)



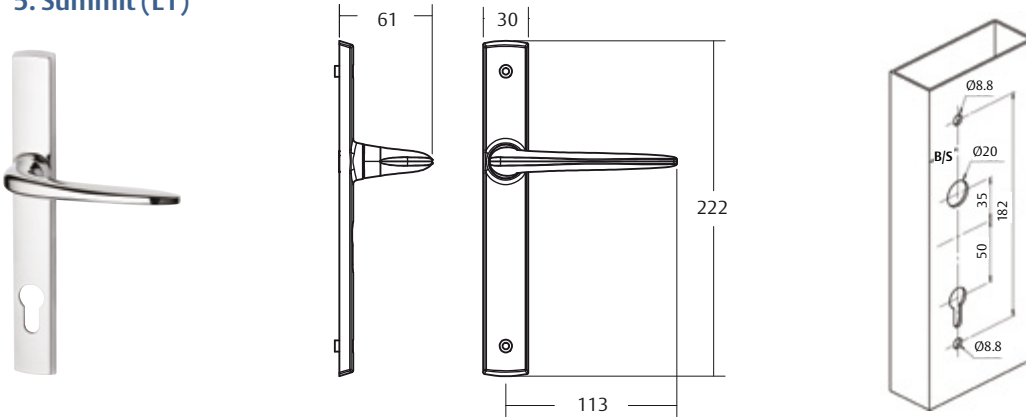
4. Saltbush (34)



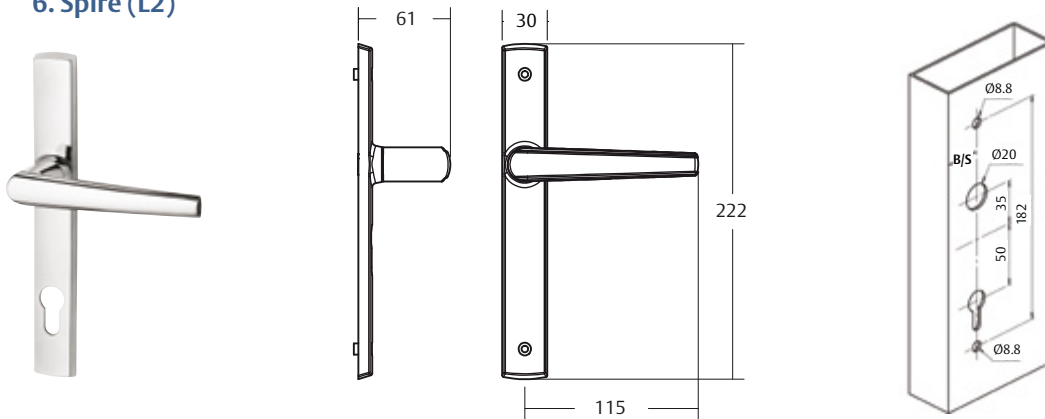
Note: B/S (backset): check relevant lock details for this dimensions

## Palladium Door Handle Sets

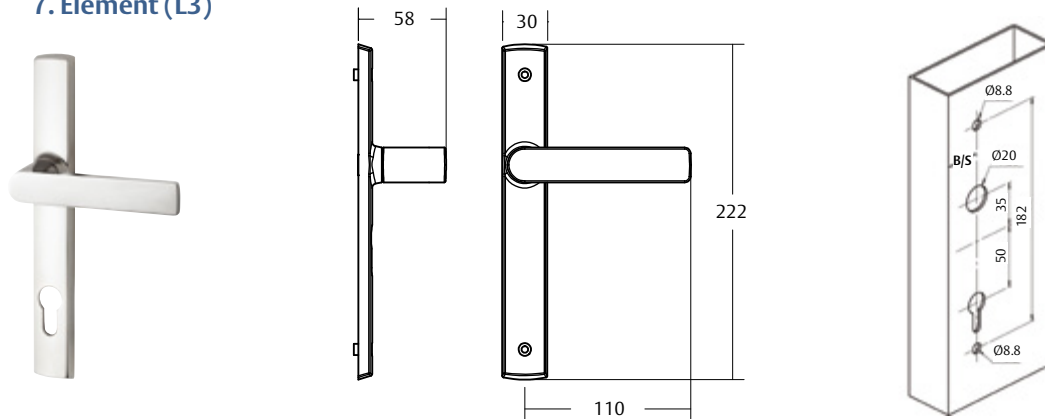
5. Summit (L1)



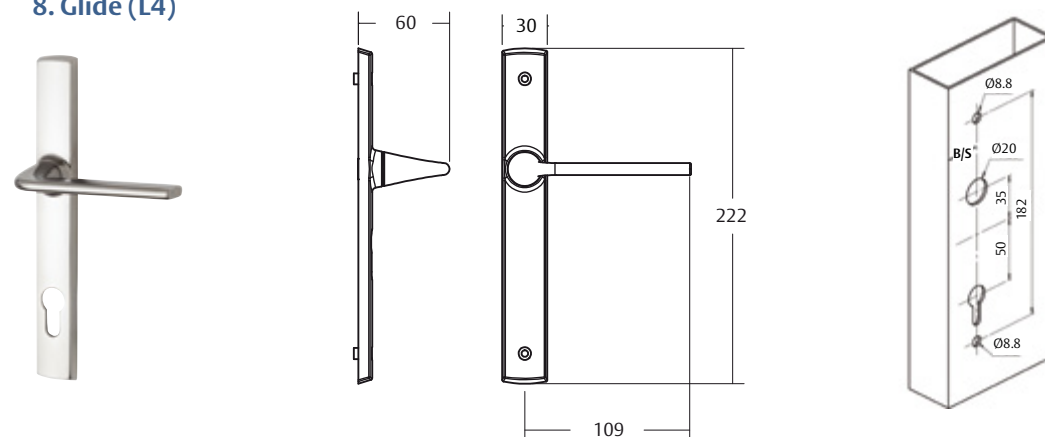
6. Spire (L2)



7. Element (L3)



8. Glide (L4)



**Note:** B/S (backset): check relevant lock details for this dimensions

## Euro Cylinders

ASSA ABLOY offers a complete range of quality cylinders. There are a number of cylinder types available, each offering a range of functional and security-oriented features.

### Features

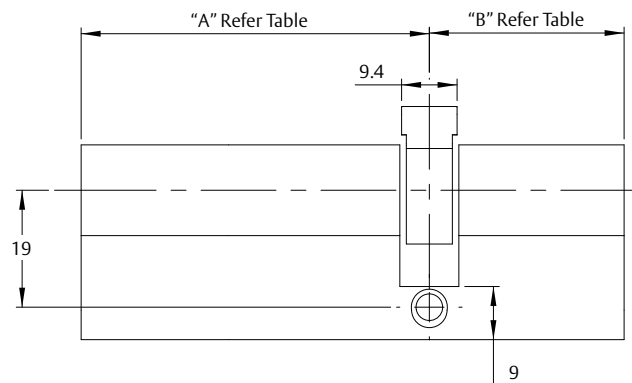
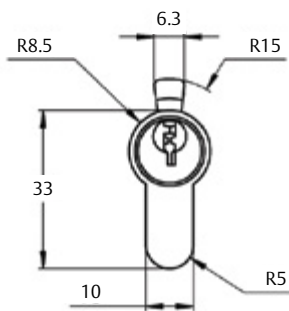
- Can be keyed alike to other ASSA ABLOY CYL4™ cylinders for one key convenience
- Construction key and master key systems are available upon request
- The Oval, Euro, Rim, and Key N Knob series are C4 compatible and available in 5 or 6-pin options
- Euro Cylinder Note: P3000E Emergency type double cylinder assemblies are MC35 Securiturn™ compatible

### Key Compatible Cylinder Types

- C4 Pin Cylinder
  - P3000 Euro Cylinder Series
  - MC570 Oval Cylinder Series
  - MC17 Rim Cylinder Series
  - MC2600 Key N Knob Cylinder Series
  - 180250 Albany Sliding Door Cylinder
- C4 Wafer Cylinder
  - CYL4 Wafer Cylinder



### E Type Cylinder

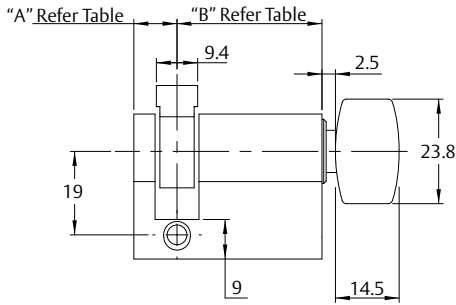


### EURO 'E' TYPE DOUBLE CYLINDER

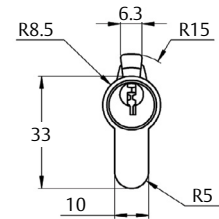
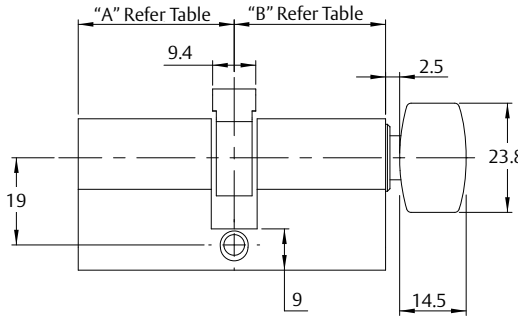
PART NUMBER	NO. OF PINS	A	B	FINISH	COMMENTS/DESCRIPTIONS
P33016E	5	62	32	S/CHROME	5 PIN C4 WITH 5 PIN TRAP CUT MC35
P33022E	5	31	31	S/CHROME	5 PIN C4 WITH 5 PIN TRAP CUT MC35
P33040E	5	40	40	S/CHROME	5 PIN C4 WITH 5 PIN TRAP CUT MC35
P33235E	5	38	38	S/CHROME	5 PIN C4 WITH 5 PIN TRAP CUT MC35
P33260E	5	33	48	S/CHROME	5 PIN C4 WITH 5 PIN TRAP CUT MC35
P33274E	5/3	51	21	S/CHROME	5 PIN C4 WITH 3 PIN V CUT MC35
P33275E	3	21	21	S/CHROME	5 PIN C4 WITH 3 PIN V CUT MC35
P33276E	5	34	34	S/CHROME	5 PIN C4 WITH 3 PIN V CUT MC35
P33280E	3	24	24	S/CHROME	5 PIN C4 WITH 3 PIN V CUT MC35

## Euro Cylinders

### Half Cylinder



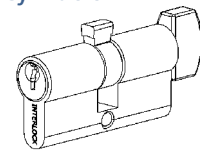
### Full Cylinder



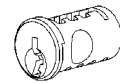
### EURO CYLINDERS – FIXED CAM

PART NUMBER	NO. OF PINS	A	B	FINISH	COMMENTS / DESCRIPTION
P33021	5	45	45	S/CHROME	EXTENDED DOUBLE KEYED TO J001
P33230	5	10	47.5	POL BRASS	HALF CYLINDER TURN KNOB
P33231	5	10	47.5	S/CHROME	HALF CYLINDER TURN KNOB
P33032	5	31	31	POL BRASS	KEY & TURN KNOB
P33033	5	31	31	POL BRASS	DOUBLE KEYED
P33034	5	31	31	S/CHROME	KEY & TURN KNOB
P33035	5	31	31	S/CHROME	DOUBLE KEY
P33045	5	10	31	S/CHROME	HALF CYLINDER KEYED
P33046	6	35	35	S/CHROME	DOUBLE KEYED WITH GRUB SCREW TOP PIN CLOSURE
P33047	6	35	35	S/CHROME	KEY & TURN KNOB WITH GRUB SCREW TOP PIN CLOSURE
P33048	5	10	31	POL BRASS	HALF CYLINDER KEYED
P33260	5	32.5	47.5	S/CHROME	OFFSET CYLINDER DOUBLE KEY
P33261	5	32.5	47.5	S/CHROME	OFFSET CYLINDER KEY & TURN KNOB
P33262	5	32.5	47.5	POL BRASS	OFFSET CYLINDER DOUBLE KEY
P33263	5	32.5	47.5	POL BRASS	OFFSET CYLINDER KEY & TURN KNOB
P33264	5	10	47.5	S/CHROME	HALF CYLINDER KEYED
P33265	5	10	47.5	POL BRASS	HALF CYLINDER KEYED
P33277	5	34	34	S/CHROME	5 PIN C4
P33278	5	10	34	S/CHROME	HALF CYLINDER TURN KNOB
P33279	5	10	34	S/CHROME	HALF CYLINDER 5 PIN C4
P33066	4	10	25.5	S/CHROME	HALF CYLINDER KEYED TO J81-J90
P33067	4	10	25.5	POL BRASS	HALF CYLINDER KEYED
P33071	6	35	35	POL BRASS	KEY & TURN KNOB
P33072	6	35	35	POL BRASS	DOUBLE KEYED
P33092	5	10	31	S/CHROME	HALF CYLINDER TURN KNOB
P33093	5	10	31	POL BRASS	HALF CYLINDER TURN KNOB
P33245	5	10	37.5	S/CHROME	HALF CYLINDER KEYED
P33292	5	10	37.5	S/CHROME	HALF CYLINDER TURN KNOB
P33235	5	37.5	37.5	S/CHROME	EXTENDED DOUBLE KEYED
P33234	5	37.5	37.5	S/CHROME	EXTENDED KEY & TURN KNOB
P33233	5	37.5	37.5	POL BRASS	EXTENDED DOUBLE KEYED
P33232	5	37.5	37.5	POL BRASS	EXTENDED KEY & TURN KNOB
P33231	5	32.5	47.5	S/CHROME	OFFSET TURN KNOB
P33230	5	32.5	47.5	POL BRASS	OFFSET TURN KNOB
P33017	5	62	32	S/CHROME	OFFSET CYLINDER TURN KNOB
P33041	5	40	40	S/CHROME	EXTENDED CYLINDER KEY & TURN KNOB
P33042	5	10	40	S/CHROME	HALF CYLINDER KEYED
P33043	5	10	40	S/CHROME	HALF CYLINDER TURN KNOB

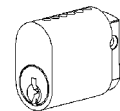
### Key Compatible Cylinders



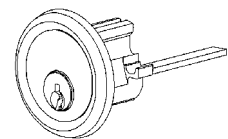
P3000 Series



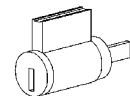
CYL 4



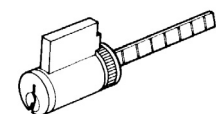
MC570 Series



MC17 Series



MC2600 Series



180250

### EURO CYLINDERS – FLOATING/LAZY CAM

PART NUMBER	NO. OF PINS	A	B	FINISH	COMMENTS / DESCRIPTION
P33119	5	37.5	37.5	S/CHROME	EXTENDED DOUBLE KEYED WITH 143° LOST MOTION CAM
P33097	5	31	31	S/CHROME	DOUBLE KEYED WITH 143° LOST MOTION CAM

## Securiturn Thumbturn

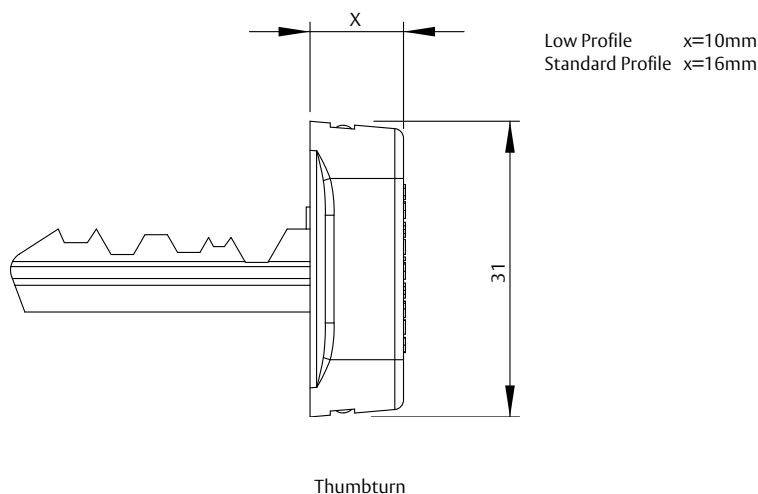
The Securiturn™ is a convenient, safe and secure removable thumbturn for double cylinder locks, which can be easily removed when the building is secured, using a release key. The innovative design allows new and existing double cylinders to have the everyday convenience of the thumbturn which can be removed when the premises are unoccupied.

### Features

- Easy to operate
- Simple but effective security
- Incorporates safety when utilising double cylinder locks
- Thumbturn with 'Red Safe Plug' conforms to NZ Building Act "Means of Escape" clause 7.2.2
- Precision design and quality construction
- Euro Cylinder Note: A feature of Securiturn™ when used in Euro Cylinders is that key access from outside will be prevented by turning Securiturn™ from the correct vertical position. Consequently, do not leave Securiturn™ in the inside cylinder of the main access door as key entry could be prevented
- New Zealand made

### Options

- Provided complete with release key
- 5 pin and 6 pin cylinders
- Plated finishes include: polished brass and satin chrome



## Capri Entrance Set



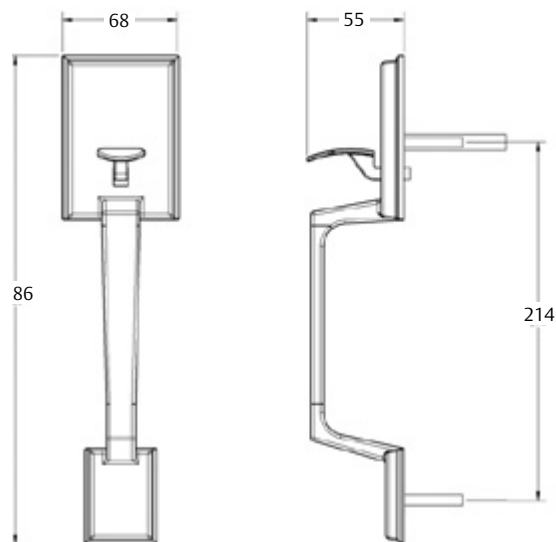
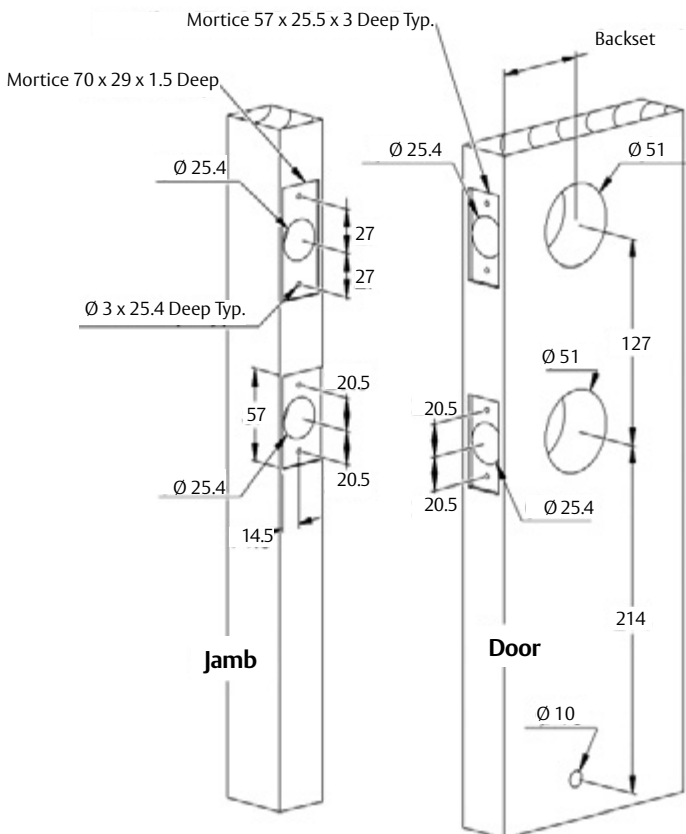
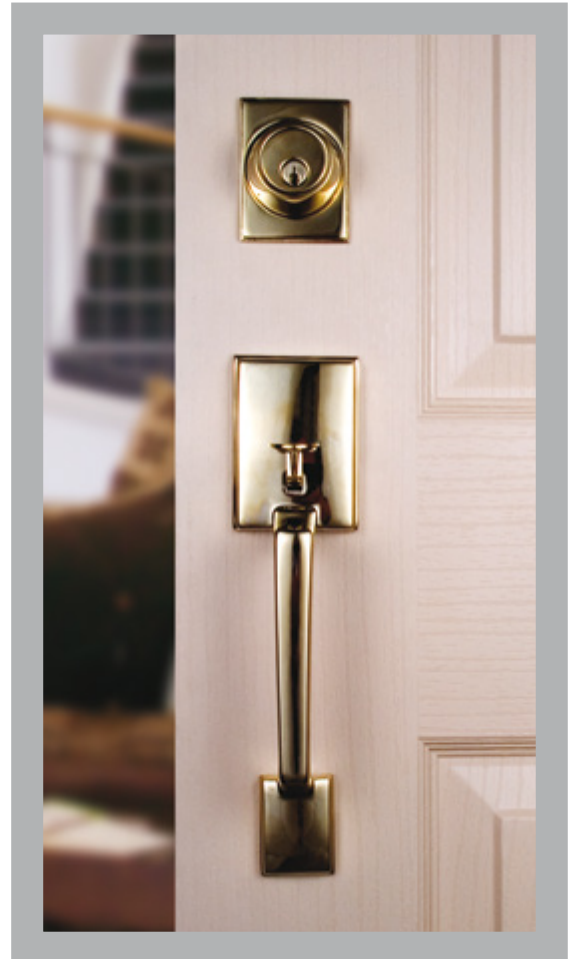
The Capri Securi-Handle set is an elegant locking entrance set for timber and fibreglass doors. With a choice of lever or knob for internal handle, the Capri Securi-Handle set compliments contemporary styled joinery.

### Features

- Adjustable 60-70mm backset
- Suitable for door thicknesses between 35-45mm
- Can be keyed alike to other ASSA ABLOY CYL4™ locks for one key convenience

### Options

- Deadbolt double cylinder or cylinder and turnknob
- Supplied as standard with 5-pin cylinders with 6-pin cylinder option available
- MC35 Secureturn removable thumbturn available as an accessory for double cylinders
- Available in satin chrome plate or polished brass finish





## Mayfair Entrance Set



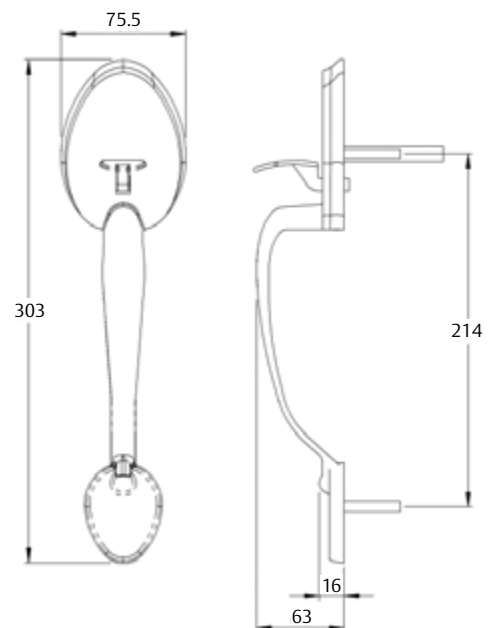
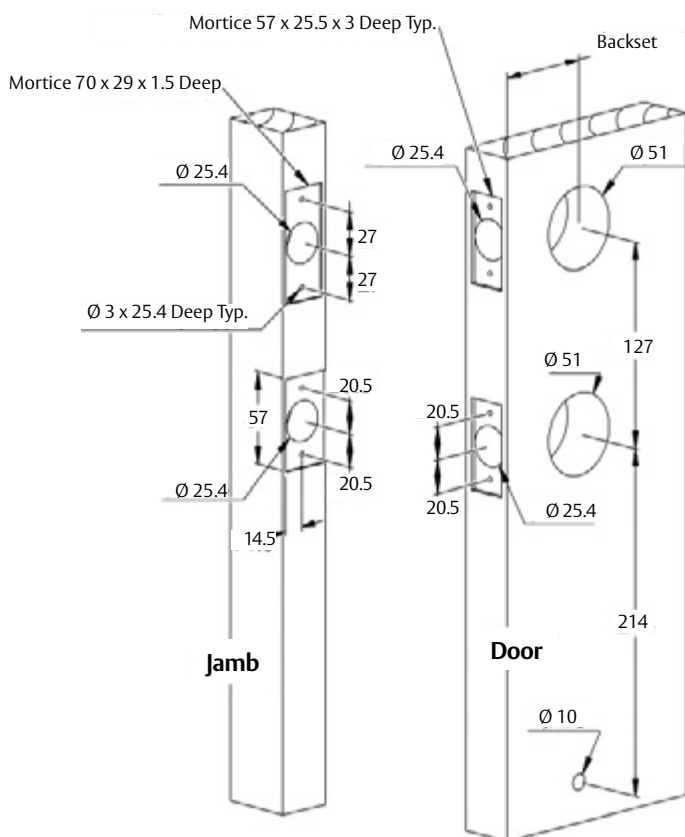
The Mayfair Securi-Handle set is an elegant locking entrance set for timber and fibreglass doors. With a choice of lever or knob for internal handle, the Mayfair Securi-Handle set compliments a range of joinery styles.

### Features

- Adjustable 60-70mm backset
- Suitable for door thicknesses between 35-45mm
- Can be keyed alike to other ASSA ABLOY CYL4™ locks for one key convenience

### Options

- Deadbolt double cylinder or cylinder and turn knob
- Supplied as standard with 5-Pin cylinders with 6-Pin cylinder option available
- MC35 Securiturn removable thumbturn available as an accessory for double cylinders
- Available in satin chrome plate or polished brass finish



## Orbit Entrance Set



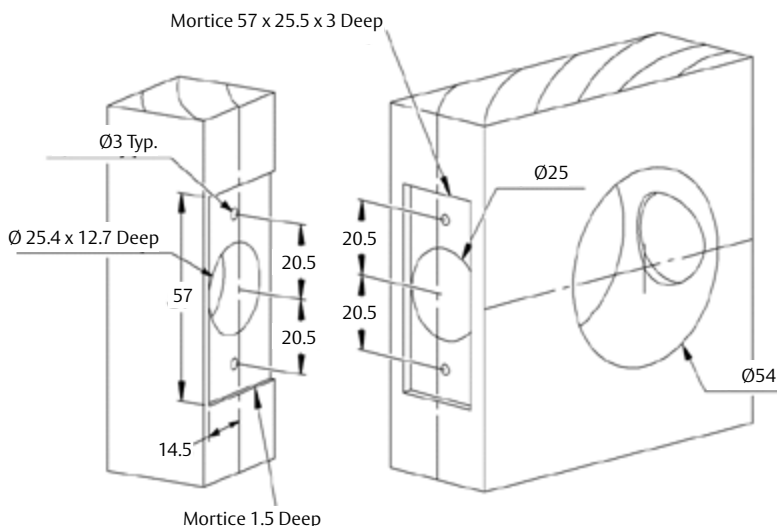
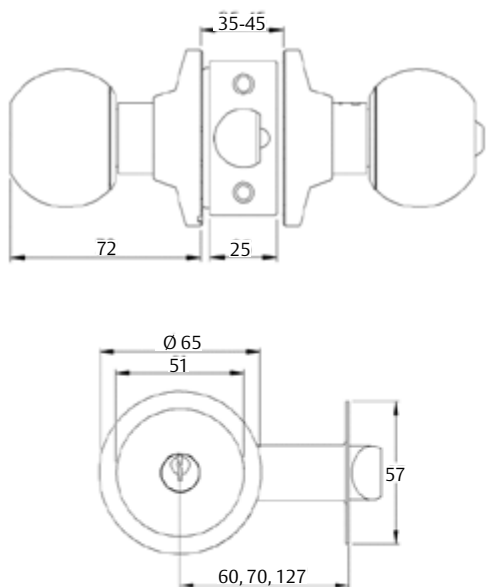
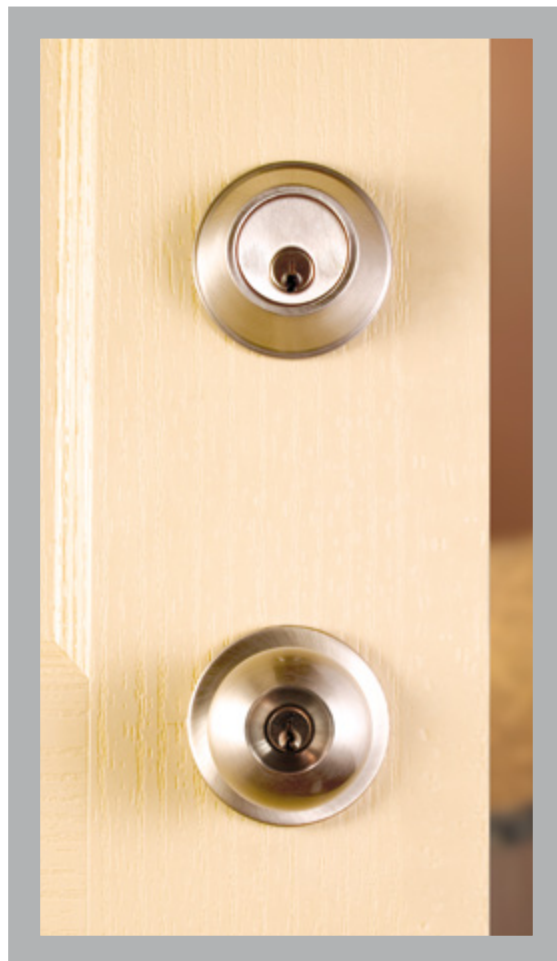
The Orbit knob style, from the Securicraft range, offers durable locking and non-locking options for timber and fibreglass doors.

### Features

- Adjustable 60-70mm backset
- Suitable for door thicknesses between 35-45mm
- Can be keyed alike to other ASSA ABLOY CYL4™ locks for one key convenience

### Options

- Combo set with deadbolt and cylinder and turnbutton lockset
- Combo sets available with double cylinder or cylinder and turnknob deadbolt
- Entrance set with cylinder and push button
- Entrance set with double cylinder
- Privacy set with push button and emergency release
- Passage set
- Dummy knob
- Available in 127mm backset for aluminium joinery
- Supplied as standard with 5-pin cylinders with 6-pin cylinder option available
- MC35 Securiturn removable thumbturn available as an accessory for double cylinder deadbolts
- Available in satin stainless steel, antique brass or polished brass finish



**Note:** Backset on door face must be same as backset of lock

## Hawthorn Entrance Set



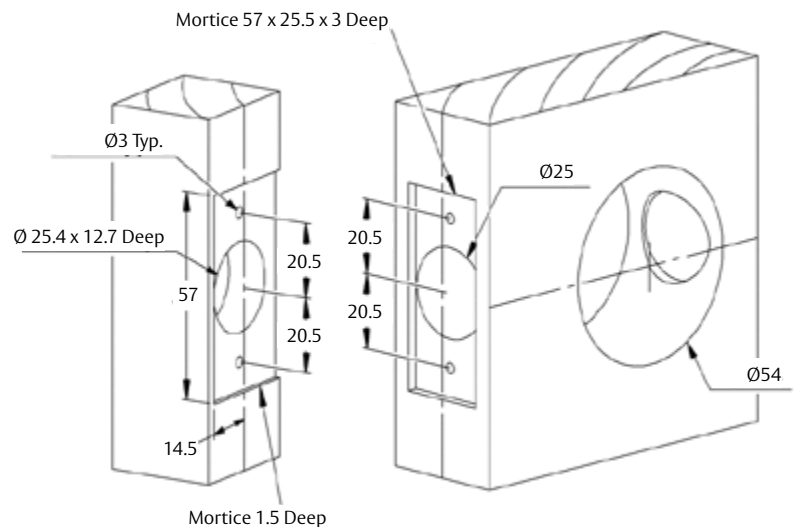
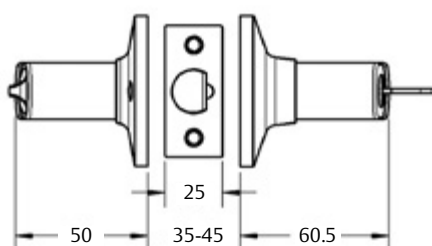
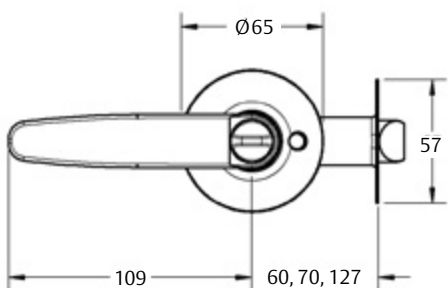
The Hawthorn lever style, from the Securcraft range, offers durable locking and non-locking options for timber and fibreglass doors.

### Features

- Non-handed lever style
- Models to suit all applications inside the house
- Adjustable 60-70mm backset
- Suitable for door thicknesses between 35-45mm
- Can be keyed alike to other ASSA ABLOY CYL4™ locks for one key convenience

### Options

- Combo set with deadbolt and cylinder and turnknob lockset
- Combo sets available with double cylinder or cylinder and turnknob deadbolt
- Entrance set with cylinder and turnknob
- Privacy set with turnknob and emergency release
- Passage set
- Dummy lever
- Can be chosen as the interior lever of the Capri and Mayfair handle sets
- Available in 127mm backset for aluminium joinery
- Supplied as standard with 5-Pin cylinders with 6-Pin cylinder option available
- MC35 Securiturn removable thumbturn available as an accessory for double cylinder deadbolts
- Available in satin chrome plate or polished brass finish



**Note:** Backset on door face must be same as backset of lock

## IB25 Series Electromechanical Drop Bolt

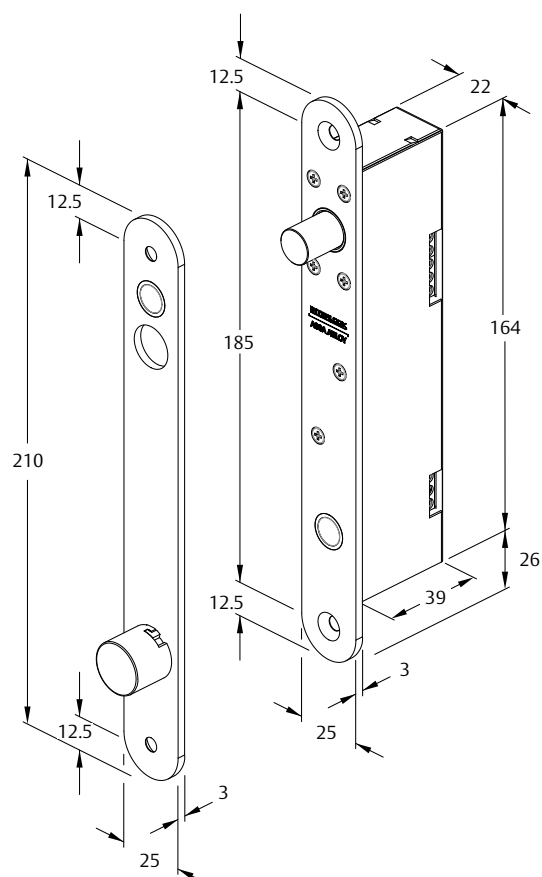
The Interlock IB25 Series Drop Bolts represent true engineering innovation, design excellence and the superior quality customers have come to expect from Interlock. The innovative design assists the correct positioning of the lock and strike every time. Designed for use on most doors including double action doors.

### Features

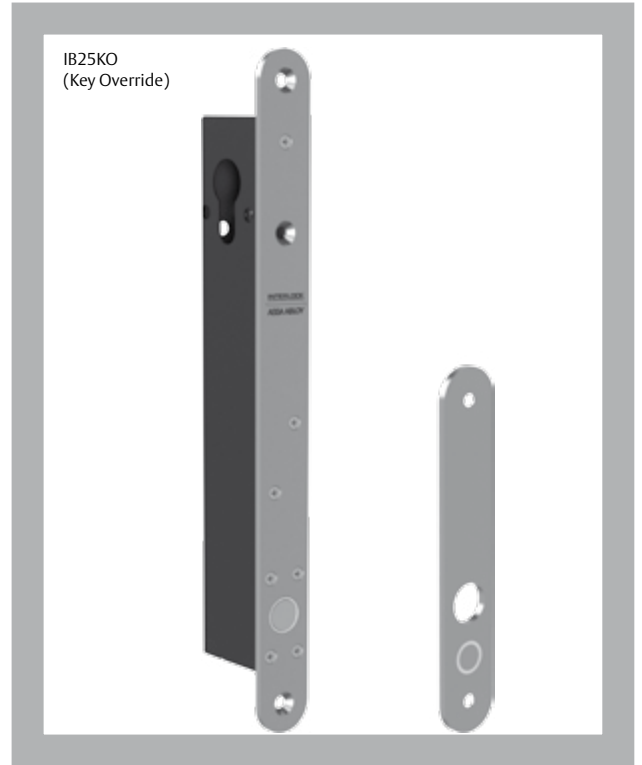
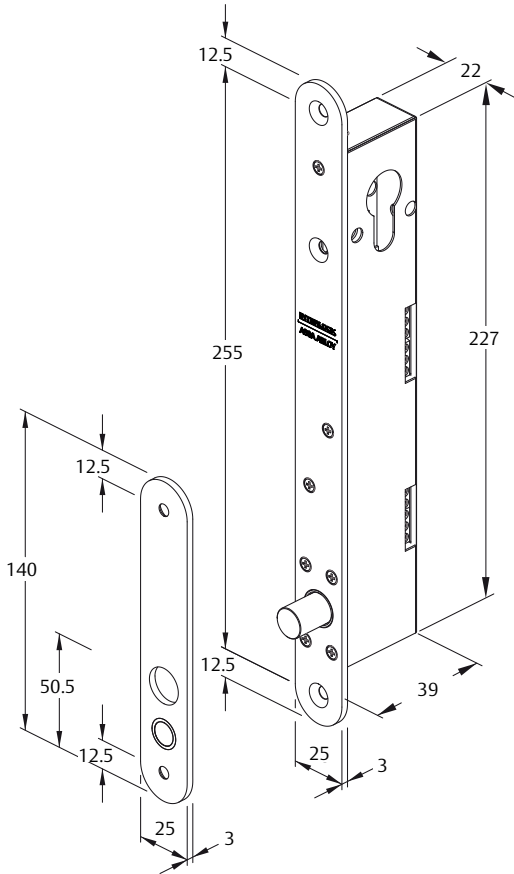
- Dual action:
  - Magnetic latch to capture the door
  - Deadbolt to secure the door
- High Security:
  - Automatic deadbolting
  - 12.7mm diameter stainless steel bolt pin
- Mortice or surface mount, horizontally or vertically
- Available as Fail Safe or Fail Secure
- Bolt position sensors
- Anti-tailgate and Anti-tamper
- Auto relock 0, 3, 6 or 9 seconds
- Multiple attempts to lock and unlock
- Multi voltage input (12 - 24VDC)
- Optional key override model (IB25KO)
- New Zealand made

### Applications

- Timber doors
- Glass doors
- Sliding doors
- Aluminium doors
- Hinged doors
- Pivot doors
- Double action doors



## IB25 Series Key Override Electromechanical Drop Bolt



### Technical Information

Part Number	IB25PTL	IB25PTO	IB25KOPTL	IB25KOPTO
	Power to Lock (FSA)	Power to Open (FSE)	Power to Lock (FSA)	Power to Open (FSE)
<b>Voltage</b>	12 to 24VDC		12 to 24VDC	
<b>Current (In rush)</b>	1100mA @ 12V, 1000mA @ 24V		1100mA @ 12V, 1000mA @ 24V	
<b>Current (Holding)</b>	210mA @ 12V, 90mA @ 24V		210mA @ 12V, 90mA @ 24V	
<b>Holding Force</b>	1000kg		1000kg	
<b>Locking Mode</b>	PTL or PTO		PTL or PTO	
<b>Dimensions (Mortice)</b>	164 x 22mm		228 x 22mm	
<b>Bolt Length</b>	Ø12.7 x 16mm		Ø12.7 x 16mm	
<b>Face Plate Size</b>	210 x 25mm		280 x 25mm	
<b>Monitoring Contacts</b>	Bolt Position Switch (BPS) and Door Position Switch (DPS)		Bolt Position Switch (BPS) and Door Position Switch (DPS)	
<b>Magnetic Latching</b>	Yes		No	

## IB38 Series Electromechanical Drop Bolt

The Interlock IB38 Series Drop Bolts represent true engineering innovation, design excellence and the superior quality customers have come to expect from Interlock. Designed for use on most doors including double action doors.

### Features

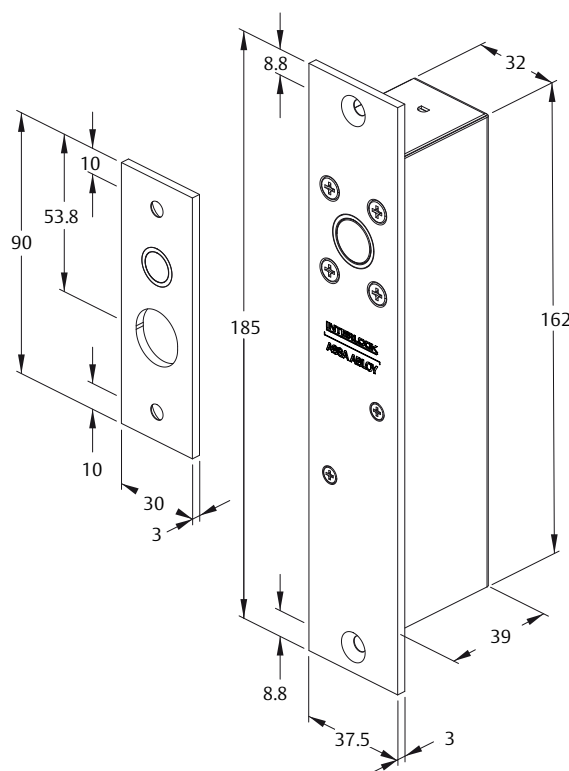
- Deadbolt to secure the door
- High Security:
  - Automatic deadbolting
  - 14.3mm diameter stainless steel bolt pin
- Mortise or surface mount, horizontally or vertically
- Available as Fail Safe or Fail Secure
- Bolt position sensors
- Anti-tailgate and Anti-tamper
- Auto relock after 9 seconds
- Multiple attempts to lock and unlock
- Multi voltage input (12 - 24VDC)
- New Zealand made

### Applications

- Timber doors
- Glass doors
- Sliding doors
- Aluminium doors
- Hinged doors
- Pivot doors
- Double action doors

### Technical Information

Part Number	IB38PTL	IB38PTO
	Power to Lock (FSA)	Power to Open (FSE)
<b>Voltage</b>	12 to 24VDC	
<b>Current (In rush)</b>	1400mA @ 12V, 1100mA @ 24V	
<b>Current (Holding)</b>	260mA @ 12V, 105mA @ 24V	
<b>Holding Force</b>	2000kg	
<b>Locking Mode</b>	PTL or PTO	
<b>Dimensions (Mortise)</b>	162 x 32mm	
<b>Bolt Length</b>	Ø14.3 x 14mm	
<b>Face Plate Size</b>	185 x 37.5mm	
<b>Monitoring Contacts</b>	Bolt Position Switch (BPS) and Door Position Switch (DPS)	



## Cobalt Electronic Side Load Lock

The COBALT series are motor driven electronic locks designed to secure commercial and residential doors.

The COBALT locks overcome the two biggest challenges faced in concealed electric locking; the ability to pull in a misaligned door and the ability to release under excessive side load pressure when requested. It will release even in the event of a power failure if the lock is configured as fail safe.

The COBALT DA has been designed primarily for double acting doors while the COBALT SA is for single acting doors.

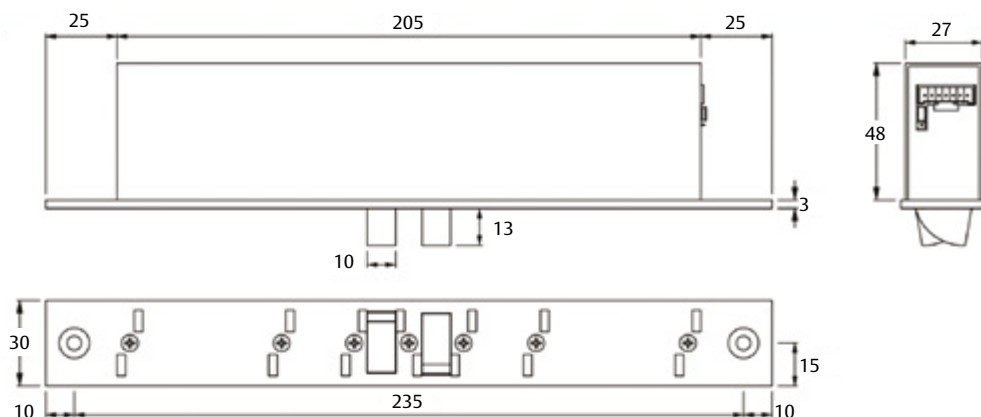
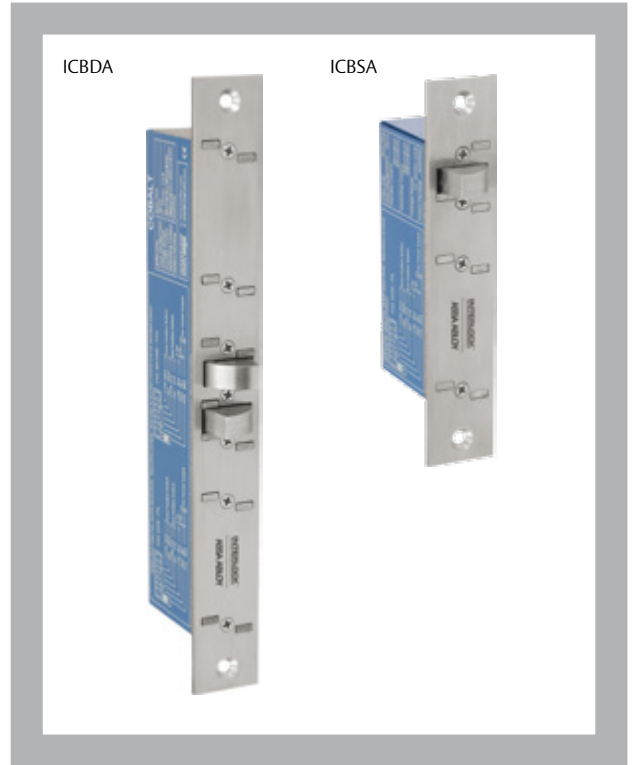
Made with the highest quality componentry and offering a full list of features as standard; the COBALT locks are the perfect solution when reliable, secure installations are required.

### Features

- Mortice or surface mount, horizontally or vertically
- Misalignment of up to +/- 8mm is corrected
- The door can have in excess of 100kg being applied and it will still release instantly when requested
- The locking cams automatically deadlock
- 10,000N holding force (1,000kg)
- Two, 10mm thick stainless steel locking cams
- Convert from Fail Safe to Fail Secure by repositioning a single jumper
- Door and bolt position switched outputs
- Input voltage from 12VDC – 24VDC (+/- 15%)
- Less than 50mA standby current
- Built in reverse polarity and transient protection
- Multiple attempts to lock

### Options

- Glass, timber and aluminium doors
- COBALT DA: Most single and double acting doors
- COBALT SA: Most single acting doors



## Steadfast Holdback Door Stop

The Steadfast Holdback Door Stop is designed to cushion the opening of hinged and folding doors and hold them open. Its innovative, sleek and robust design removes the need to bend down to the floor to latch or release the door.

### Features

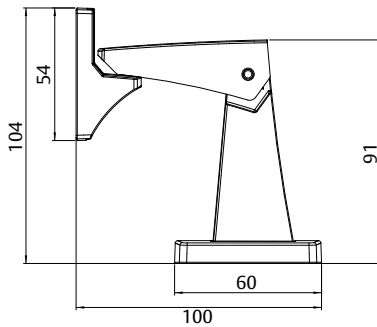
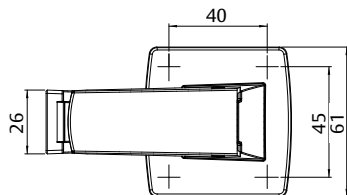
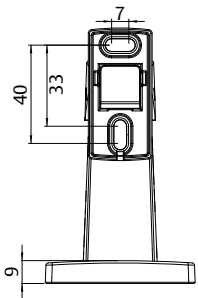
- Self-latching with toe-operated release means no bending down
- Sleek, robust design
- Concealed screw fixings
- Suitable for internal and external applications
- New Zealand made

### Options

- Available in a range of powdercoat colours and satin chrome
- Floor and wall mount versions available



STRIKE HOLE  
PITCH RANGE



STRIKE HOLE  
PITCH RANGE

