



SECTION F

Additional Security

Window Restrictors	F2
Window Bolts	F3 - F4
Door Bolts	F5 - F6
Door Security Accessories	F7

Securistay Window Restrictor

The Securistay is a window restrictor that provides ventilation for at home security.

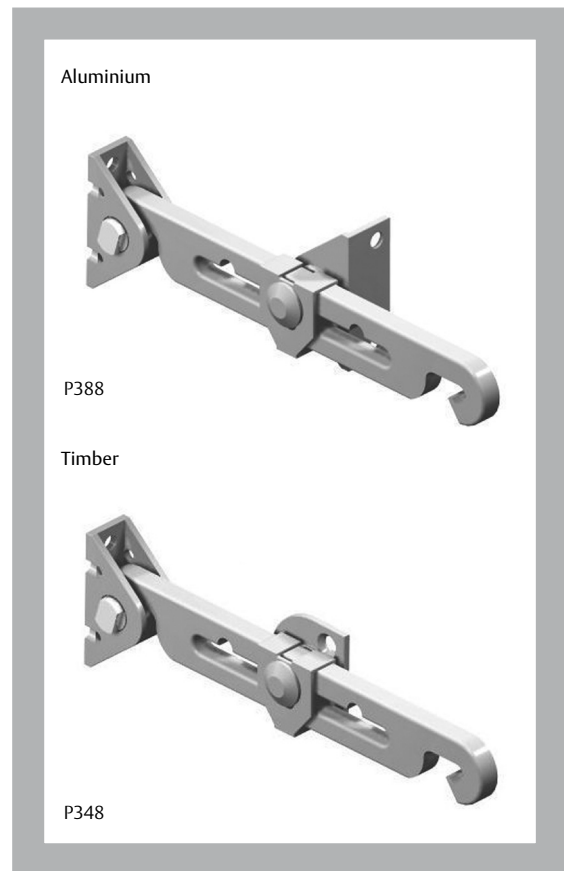
Designed for use with projected top hung and projected side hung windows, the Securistay limits the sash opening to 100mm. This allows for safer ventilation and provides child safety particularly in multi-storey buildings. It is suitable for pivoting timber, aluminium or uPVC sashes.

Features

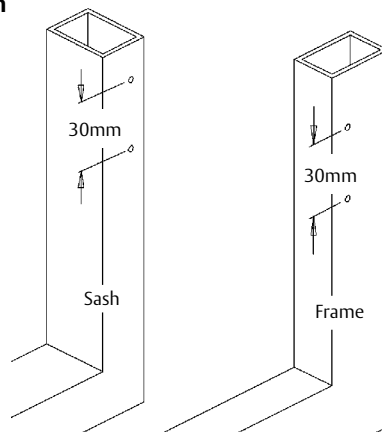
- To guard against injury caused by falling, the opening is restricted to 100mm, in compliance with NZBC Acceptable Solution F4/AS1
- As an enhanced security feature, full window opening can only be obtained when the Securistay arm is disengaged
- Offering three notched, at-rest setting positions, the Securistay provides additional sash control in windy situations
- A stainless steel security sleeve encircles the arm, locking it to the frame plate pin, discouraging jimmying
- The Securistay is manufactured from materials selected to provide a maintenance-free life
- New Zealand made

Options

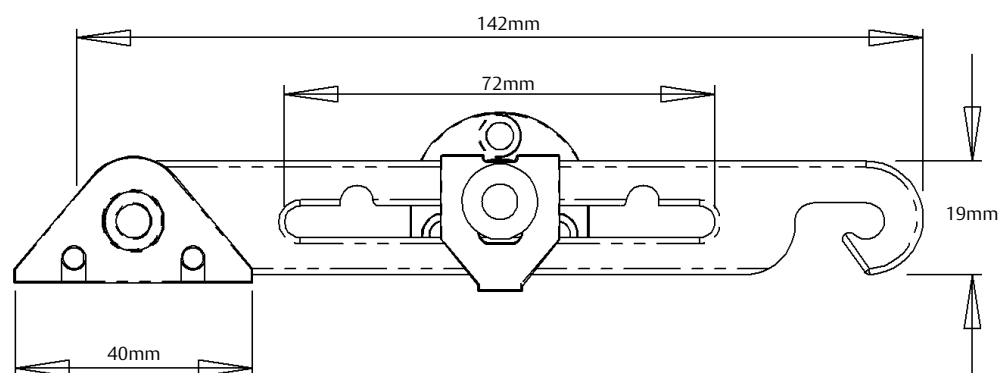
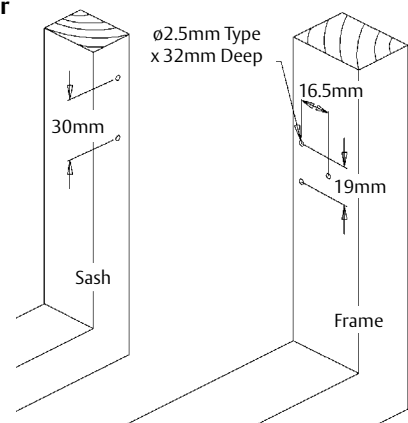
- 'A' type - aluminium joinery
- 'T' type - timber joinery
- Available in a range of colours to complement any window design and finish



Aluminium



Timber



Additional Security

Pushlock Window Bolt



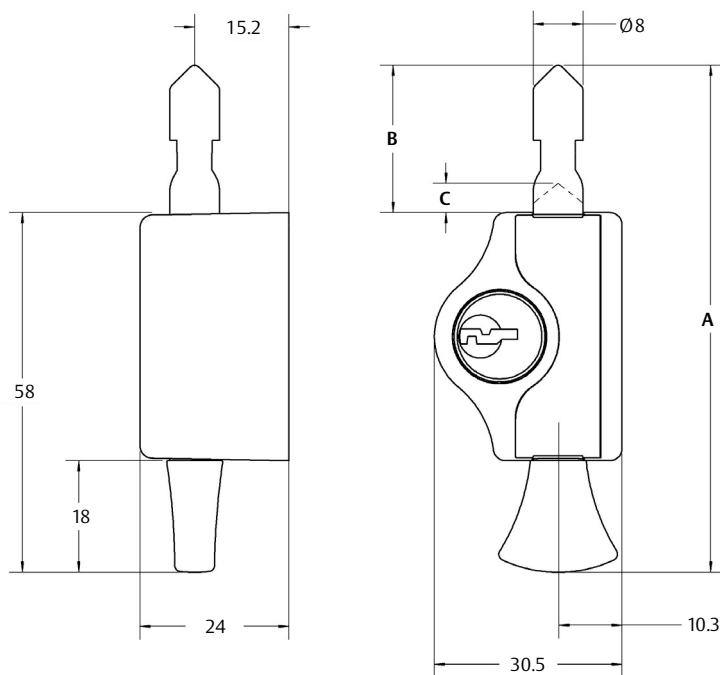
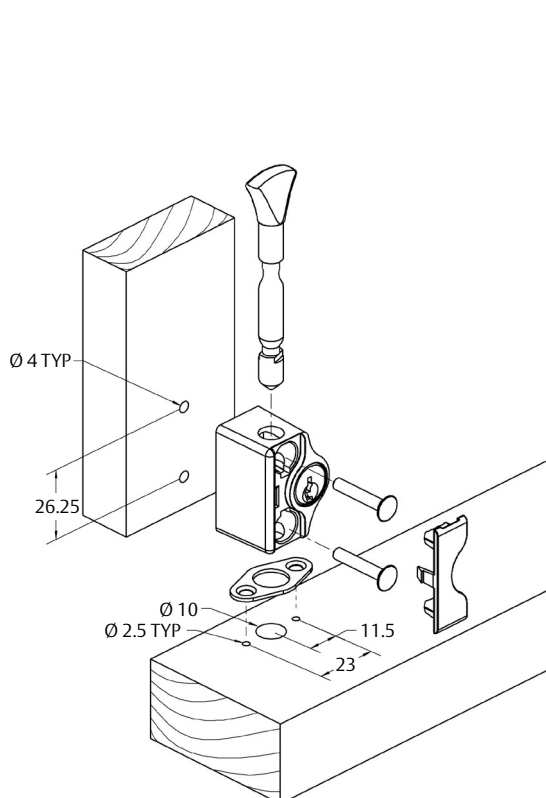
The Pushlock is a secure locking window bolt for deadlocking timber or uPVC awning, casement, sliding or double hung windows. The strongly constructed lock body provides maximum strength for any window that requires more security.

Features

- 8mm diameter bolt provides real security
- Reversible bolt to allow cylinder to be located on the left or the right of the lock body to suit application
- Concealed fixing for security and style
- Easy to install
- Stainless steel ferrule for added security
- Can be keyed alike to other ASSA ABLOY CYL4™ locks for one key convenience
- New Zealand made

Options

- Available in black and arctic white



	A Bolt length	B Bolt thrown length	C Bolt unthrown length
Standard bolt	81.5mm	24mm	10mm

Additional Security

INTERLOCK™

ASSA ABLOY

Patiobolt Door Bolt



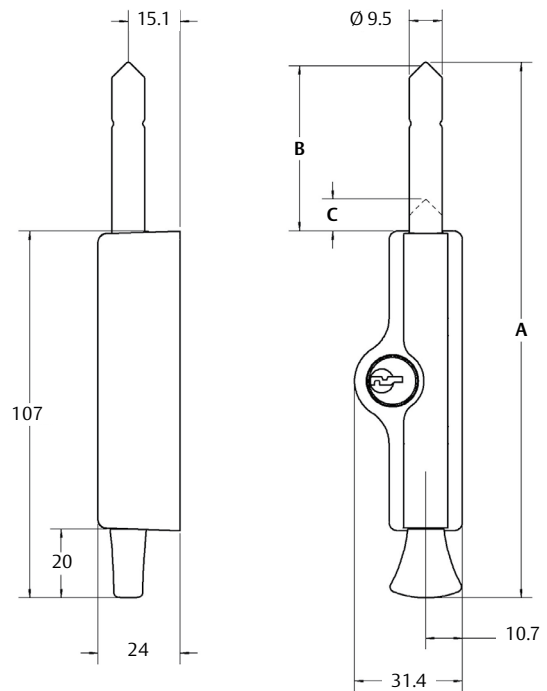
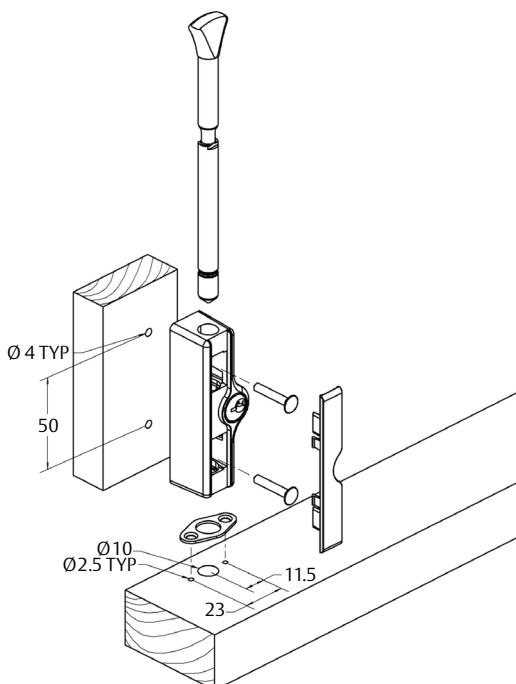
The Patiobolt is a secure deadlocking bolt for use with timber, aluminium and uPVC hinged, sliding or bi-fold doors.

Features

- 9.5mm heavy gauge bolt providing good security
- Deadlocking bolt for top security
- Reversible bolt allows cylinder to be located on the left or the right of the lock body to suit the application
- Bolt can be engaged with or without locking cylinder
- Bolt remains in the body when disengaged
- Concealed fixing for security and style
- Easy to install
- Can be keyed alike to other ASSA ABLOY CYL4™ for one key convenience
- Supplied with two ferrules to enable safe venting with the Patiobolt remaining in a bolted position
- New Zealand made

Options

- The base model can be enhanced to suit a variety of specialised applications by use of one of the bolt options available:
 - The standard bolt length is 155.5mm
 - The long bolt length is 185.5mm
 - The standard bolt thrown length is 50mm and the unthrown length is 9.5mm
 - The long bolt thrown length is 80mm and the unthrown length is 39.5mm
- Available in black and arctic white
- Easy to install



	A Bolt length	B Bolt thrown length	C Bolt unthrown length
Standard bolt	155.5mm	50mm	9.5mm
Extended bolt	185.5mm	80mm	39.5mm

Additional Security

Securichain

Concealed Security Chain

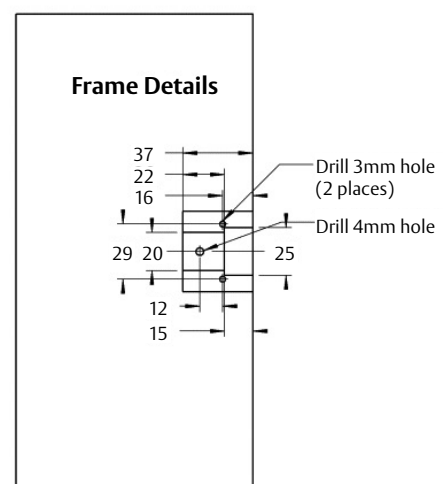
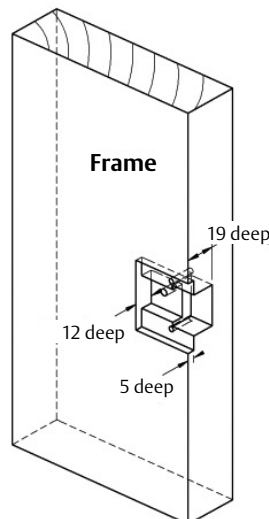
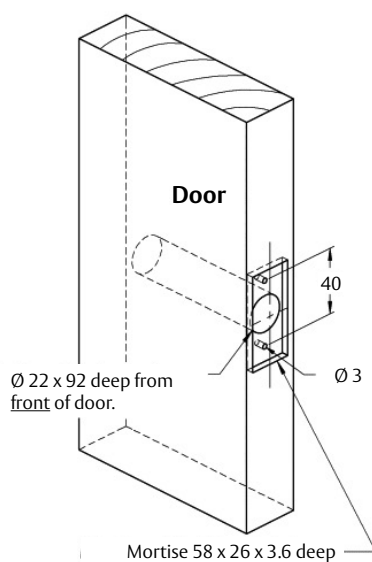
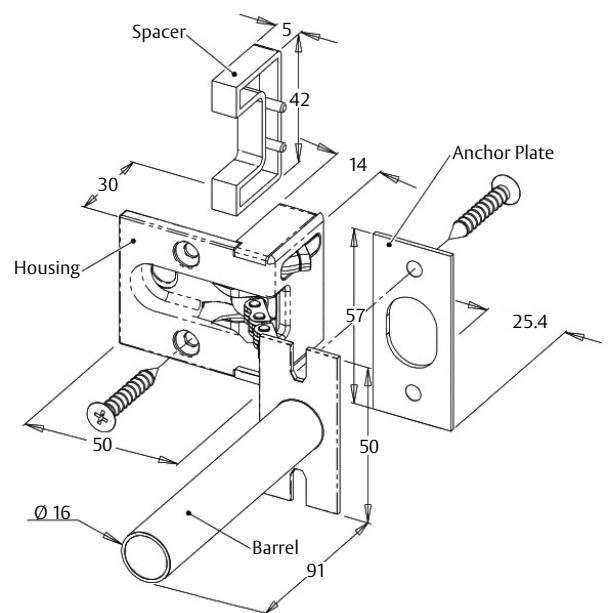
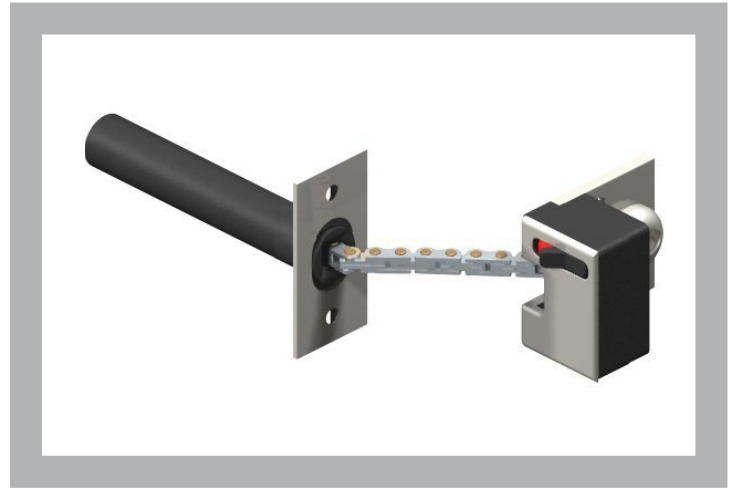
The Securichain is for use with standard hinged, inward opening doors with a minimum thickness of 34mm. The design and function of the product is ideal for use in residential or hotel applications to view before greeting a visitor.

Features

- Concealed fixing screws into the door frame
- Any impact forces are imposed in a sheer action of the fixing screws allowing a greater resistance
- Visual unlock indicator
- Activated by a simple on/off switch
- New Zealand made

Options

- Plated finishes include: polished brass, satin chrome and florentine bronze



Note: If architrave over 15mm and door over 40mm thick, locate centre of barrel hole 18mm in from inner edge of door

Securicloser Hidden Door Closer

The Interlock Securicloser provides automatic closure of timber or aluminium doors fitted with standard hinges. The closing power is adjustable without removing the unit from the door and can be set to door size and weight. The Securicloser is strong, durable, hidden from view and fits most standard doors.

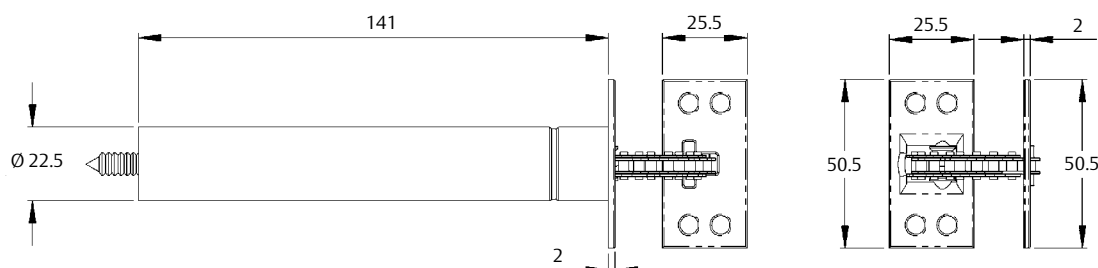
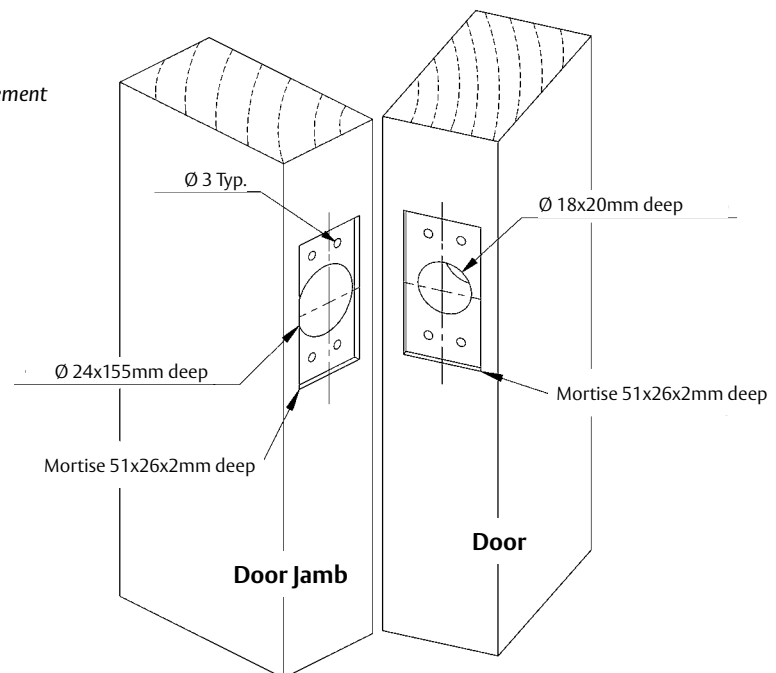
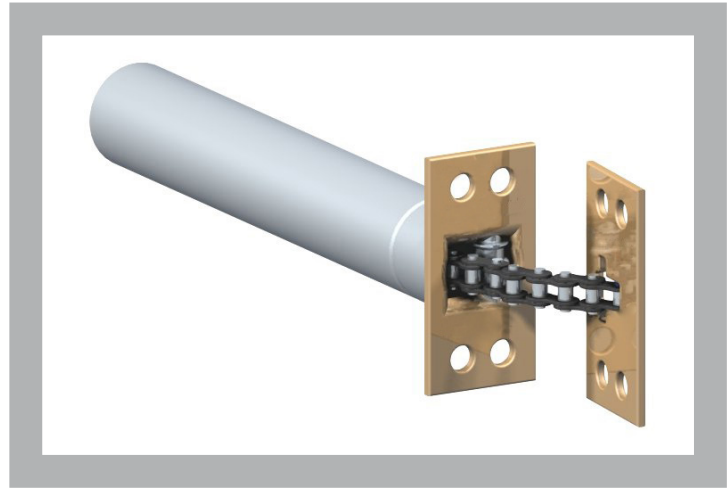
Features

- Closes nuisance doors, stops heat loss and ensures privacy
- For use on doors up to 50kg (108lb). For doors above this weight, use multiple door closers
- Fixing position can be adapted to door design
- Installations can be reversed if more suitable for barrel to be inserted into door frame and frame plate fitted to door edge
- New Zealand made

Options

- Available in bronze

Note: The Securicloser is not suitable where limited air displacement or extremely draughty conditions exist



Additional Security

Door Security Accessories

Doorbolt

- A concealed locking door bolt for discrete security
- Strong quality construction and increases attack resistance
- For use with timber doors
- Available in polished brass or white
- The Windowbolt is offered for timber windows



Door Guard

- Allows safer inspection of visitors
- For use with inward opening doors
- Available in satin chrome or polished brass



Hingebolt

- Provides for higher security in outward opening doors as well as extra security for standard doors
- Plated steel bolts and plates increase door attack resistance
- Two bolts for each door
- For use with all timber doors
- Available in satin chrome



Door Viewer

- Allows safe inspection of visitors with a wide 200° angle lens
- Precision optical lens
- Suitable for door thicknesses from 35-60mm
- For use with timber, uPVC or aluminium doors
- Available in satin chrome or polished brass



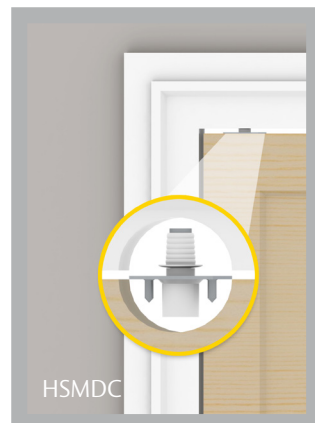
Rim Cylinder Nightlatch

- For new and retrofit inward opening hinged doors
- High quality zinc alloy construction
- For use with timber doors
- Can be keyed alike to other ASSA ABLOY CYL4™ locks for one key convenience



Snap Magnet

- No bouncing of doors when closing
- The magnets jump up to contact each other providing a positive connection
- Perfect replacement for ball catches, spring catches or round magnets
- High strength rare earth magnets
- Blends in to architrave



A-Series - Series of friction stays made of aluminium.

Anti-Slam Button - Must be pushed before the lock beaks can be engaged. This helps prevent damage from the door being slammed shut with the lock beaks out.

Austenitic S. Steel - Corrosion-resistant, made with S. Steel.

Awning Window - A window with an outward opening sash, hung about a horizontal axis at the top or on friction stays at the side.

Backset - The distance from the face of the lock to the centre line of the lock cylinder.

Bi-fold - A sliding door or window with sections that fold onto one another as the door opens.

Bi-parting - Two sliding doors in a frame that lock together in the centre.

Bracket - Sash/Transom - A simple rigid structure in the shape of an L, one arm of which is fixed to a vertical surface, the other projecting horizontally to support a weight.

C-Groove - European standard C-shaped groove in the inner part of the window frame.

C4 Format Lock - A conventional lock cylinder based on the registered C4 key shape format.

Casement Window - A window with an outward opening sash, hung about a vertical axis at the side.

Commercial Weight - Built to take the heavier loads and weights of commercial applications.

Computer Aided Design (CAD) - Process of using CAD software for product and tooling design.

Concealed Friction Joint - The stay joint is covered to protect friction surface from dust and debris.

'D' Pull - Handle shaped as a 'D', functions as a door or window grip.

DA Stay - Double Action stay: first phase ventilation, second phase cleaning.

Daylatch - System offering both a latch and a key lock on the inside of the door, the daylatch acting as a quick and convenient latching option.

Deadbolt - A bolt on a lock that is moved by turning the key or knob.

Deadlock - Key access from inside and outside the door or window for extra security.

Die-cast - Process of manufacturing a product via molten metal entering a mould.

Door Handing - The orientation of the hardware to Australasian standard.

Double Hung Sash Window - A window that has two sashes that slide up and down.

Double Key Cylinder - Cylinder with a lock face on both ends, used in deadlocking applications.

Double Operating Action - When a stay has a sliding action allowing a window to be opened to 90° for cleaning.

Double Tongue - Second tongue on a window fastener, which allows the window to be left slightly open for ventilation.

Drop Bolt - Additional fastening on door that serves as a lock, activated by a key.

Dummy - A handle and housing without the latching or locking mechanisms. Intended to match a functional handle on a double door/window system.

Escutcheon Plate - A protective plate for a keyhole.

Extension Rod - An extension to a head or sill lock rod for use on tall (above standard) doors directly.

Face Fix - The fastener is fixed direction through the base onto the face of the window sash.

Finish - Final cover treatment of the product for appearance and protection, in both plated finishes or powdercoat colour.

Friction Bearing - Sealed nylon bearings working as highly accurate and strong pivot centres for stays. The sealing ensures durability and maximum product life.

Friction Hinge - To brace and support the window sash for opening. Also known as a stay.

Furniture - Fittings complimentary to the lock systems, such as handles and escutcheon plates.

Half Cylinder - Cylinder with a lock face on only one end, for such systems as 'lock inside only'.

HD Stay - Heavy-duty stay for commercial applications.

High Forces - Intense forces such as strong winds.

Hook Bolt - Projecting bolt on a hinged or sliding door lock that hooks into the striker for added security.

Jamb - Vertical posts or pieces that together form the sides of a door or window frame.

Keyed Alike - Where the same key operates two or more cylinders.

LF - Low friction.

LH - Left hand.

Latch - The fastening on a door that fits into the notch or slot on a door jamb and is lifted from either side by the handle.

Lock Barrel - Lock cylinder.

Lock Body - Lock mechanism.

Lock Cylinder - The metal surround of the lock that fits into the lock body.

Lockset - A set of hardware for shutting or locking a door.

Master Keyed - A number of cylinders in a group can be operated by one 'master key' whilst at the same time can also be operated by individual keys.

Mortice Mounted - The lock is fitted inside the door stile as opposed to mounted on the surface.

Mullion - The upright bar between sashes of a window (the sill is the horizontal bar).

NF - Non-friction.

Negative Pressure - A pressure imbalance between the inside and outside of a window/door resulting in a force tending to pull the window/door off a building.

Non-handed - The ability to reverse the product or key component to suit left or right-hand installation.

Offset Tongue - Single tongue on a window fastener offset further from the base allowing for better handgrip.

Opposing Tongue - Two tongues on opposite sides of the window fastener handle, one allowing the window to be left slightly open for ventilation. Alternative to double tongue.

P Colours - A choice of the most common powdercoat colours used on ASSA ABLOY window and door hardware - *Contact us for the current list.*

Packer - Fills any space between the product and its installation site, when dimensions may differ.

Patio Set - A lock designed with a turn knob inside to lock the outside knob.

Pivoting Sash - Window sash with a sash arm assembly that enables it to be opened outward as in both casement and awning applications.

Powdercoat - Polyester-based coating for aluminium products providing a smooth colour finish.

Pressure die-cast - When metal is forced into a mould to manufacture products requiring thinner wall sections.

Pre-treatment - Chemical process that cleans off oil, dirt and other contamination before final finish is applied, and provides corrosion protection in some cases.

Profile high/low - How far the handle of a window fastener is set from the base. Low profile is necessary when the handle must fit behind a fly screen or sliding door.

PSH - Projected Side Hung window – casement.

PTH - Projected Top Hung window – awning.

Projected Windows - Windows that open outward.

“Pull-in” Feature - ASSA ABLOY’s patented pull-in effect creates a tight weatherproof seal around the window sash.

RH - Right-hand.

Reversible Latch - The ability to reverse the bevelled side of the latch to suit a choice of left or right hand closing.

Rivet - Joins frame plate, sash plate, long arm and short arm together on a friction hinge.

S4B - Sliding 4-Bar stay.

Sash - A frame in which the panes of a window or door are set.

SBML - Slim Backset Mortice Lock.

Securturn - Removable turning mechanism for lock cylinders. Simple and secure locking option in place of a conventional key.

Security Rod - Steel rod for hinged door lock that functions as an additional locking point.

Snib - The latch that activates the locking beaks on sliding door and window systems.

Special (SPEC) - A special powdercoat colour not one of the most common colours offered by ASSA ABLOY (P colours).

Stay - Friction hinge – top brace and support the window sash for opening. Also known as friction hinge.

Stay Selection Matrix - A chart that indicates the most suitable stay length based on a grid matching sash weight and height.

Stile - The vertical section of a door in which the lock is housed.

Striker - Acts as a receptical for the drop bolt or latch.

Sub Fix - The fastener is fixed to the window sash from underneath the base of the fastener.

Surface Mounted - The lock is mounted on the surface of the door stile.

Top Hung Window - Awning window.

Transom - A horizontal crosspiece through the middle of a door or window.

Turn Knob - Turning mechanism that activates the door lock from the inside, a convenient locking option in place of a key.

uPVC - Unplasticised Polyvinyl Chloride. Polyvinyl Chloride is a common thermoplastic resin that is strong, lightweight, fire-resistant and durable. Used in window construction.

Vertical Sliding Window - Sash window that slides upward.

Wedge - Tongue of the window fastener lodges tightly against the wedge to ensure a tight seal between the window sash and the window frame.

Wedgeless Fastener - Has a flap (wedge) attached to the main window fastener. Upon opening the flap is automatically raised, upon closing automatically lowered.